

**YAMAHA**



# **PARTS CATALOGUE**

# **TZ125 (4JT2)**

**[4JT-004101~]**

**'94.11** 発行

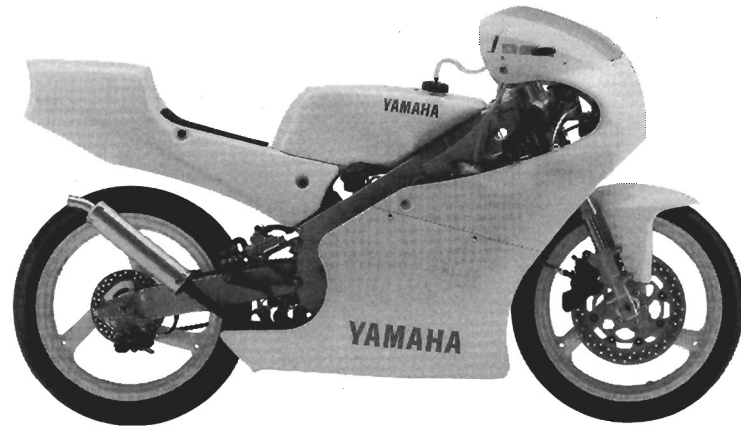
**YAMAHA**  
**GENUINE**  
Parts & Accessories

154JT-0101E1

4JT-28198-15-E1







**A3**



# ま え が き

このパーツカタログは、ヤマハ TZ125 (4JT2) に使用されている補修用販売部品が記載されています。

部品を御注文の際は、本パーツカタログを御参照の上、部品番号、部品名、数量を正確に御指示下さい。

1. 部品の新設、廃止または変更が生じた場合は、部品ニュースにてお知らせ致しますので、お手許のパーツカタログを御訂正下さい。
2. アセンブリでの販売部品は、その構成する部品の頭に (・) 印をつけて一文字下げた状態にて表わしてあります。
3. アセンブリでの販売部品使用個数は、アセンブリ単体に含まれる使用個数を表示してあります。

(例)

部品番号	部品名	使用個数
4J2-83310-00	フロントフラッシュランプアセンブリ	2
3L5-83312-00	・レンズ、フラッシュ	1
185-83311-10	・バルブ (6V-8W)	1

4. 本文中に記載されています省略記号は次の様になっています。

STD	スタンダード
UR	選択
UN	必要数
AP	別売品
O/S	オーバーサイズ
LM	現地調達部品

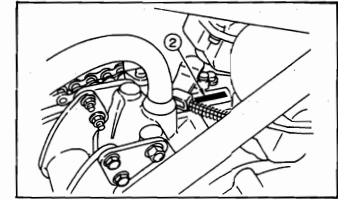
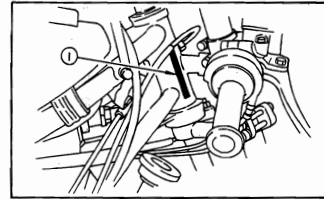
5. フューエルタンク グラフィック及びエンブレムが複数にて使用されている場合は、摘要欄に該当仕様色名が記載されています。

(例)

部品番号	部品名	使用個数	摘要
3FY-24110-00-01	フューエルタンクコンプリート	1	URソフィアイエロー
3FY-24110-00-02	フューエルタンクコンプリート	1	URホワイト
3FY-24240-00	・グラフィックセット	1	URソフィアイエローヨウ
3FY-24240-10	・グラフィックセット	1	URホワイトヨウ
3FY-24161-00	・エンブレム	1	2

6. 本モデルの打刻仕様、塗色部品の使用は、次の様になっています。

① フレーム打刻型式・号機	4JT-004101~
② エンジン打刻型式	4JT



色番号	色名	省略記号
0036	ホワイト	W

7. 本モデルのサービス資料の部品番号は、下記の通りです。

資料名	部品番号
オーナーズサービスマニュアル	4JT-28199-01

# CONTENTS

## ENGINE

Cylinder Head .....	B2~B3
Crankshaft. Piston .....	B4
Counter Shaft .....	B5
Water Pump .....	B6
Radiator. Hose .....	B7
Oil Pump .....	B8
Intake .....	B9
Carburetor .....	B10~B12
Exhaust .....	B13
Crankcase .....	B14
Clutch .....	B15~C2
Transmission .....	C3~C4
Shift Cam. Fork .....	C5
Shift Shaft .....	C6

Stand. Footrest .....	D8~D9
Cowling 1 .....	D10
Generator .....	D11
Meter .....	D12
Handle Switch. Lever .....	D13
Electrical 1 .....	D14

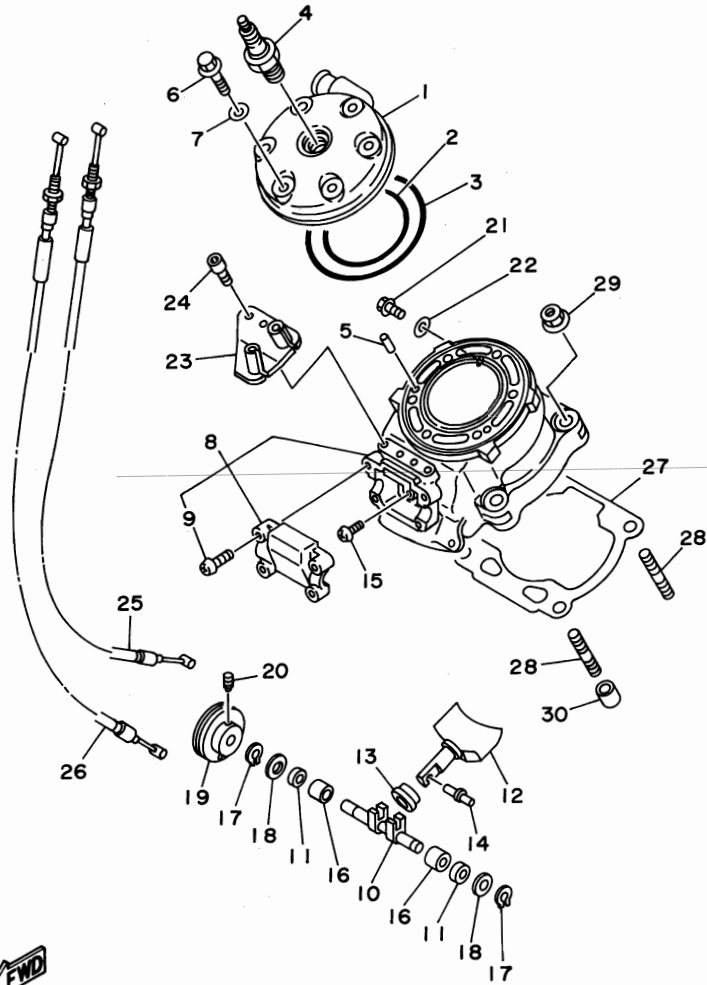
## INDEX

Numerical Index .....	M1~M3
-----------------------	-------

## CHASSIS

Frame .....	C7
Rear Arm .....	C8
Rear Suspension .....	C9
Steering .....	C10
Front Fork .....	C11~C12
Fuel Tank .....	C13
Seat .....	C14
Front Wheel .....	C15
Front Brake Caliper .....	D2
Rear Wheel .....	D3~D4
Rear Brake Caliper .....	D5
Steering Handle. Cable .....	D6
Front Master Cylinder .....	D7

FIG. 1 CYLINDER HEAD



REF. NO.	PART NO.	DESCRIPTION	Q'TY	REMARKS
1	4JT-11111-00	HEAD, CYLINDER 1	1	
2	93210-63442	O-RING	1	
3	93210-88696	O-RING	1	
4	94702-00373	PLUG, SPARK (R6385-105P)	1	UR NGK
	94709-00373	PLUG, SPARK (R6385-105P)	1	UR NGK FOR JAPAN
5	93604-08071	PIN, DOWEL	2	
6	90105-06535	BOLT, WASHER BASED	6	
7	90430-06166	GASKET	6	
8	4JT-11310-01	CYLINDER	1	
9	98907-05020	.SCREW, BIND	4	
10	3LC-1131V-00	SHAFT 1	1	
11	93104-08040	OIL SEAL	2	
12	3YL-1131A-00	VALVE 1	1	
13	1RK-1131E-00	HOLDER 1	1	
14	90249-04189	PIN	1	
15	98907-05010	SCREW, BIND	1	
16	90380-08192	BUSH, SOLID	2	
17	93440-08130	CIRCLIP	2	
18	90201-08085	WASHER, PLATE	2	
19	4DP-1132E-00	PULLEY 1	1	
20	90149-05149	SCREW	1	
21	95817-06010	BOLT, FLANGE	1	
22	90430-06166	GASKET	1	
23	3XV-11998-00	BRACKET 1	1	
24	91317-05010	BOLT	2	
25	4JT-1133E-00	CABLE, PULLEY 1	1	OPEN
26	4JT-1133F-00	CABLE, PULLEY 2	1	CLOSE
27	4JT-11351-00	GASKET, CYLINDER (0.8T)	1	STD

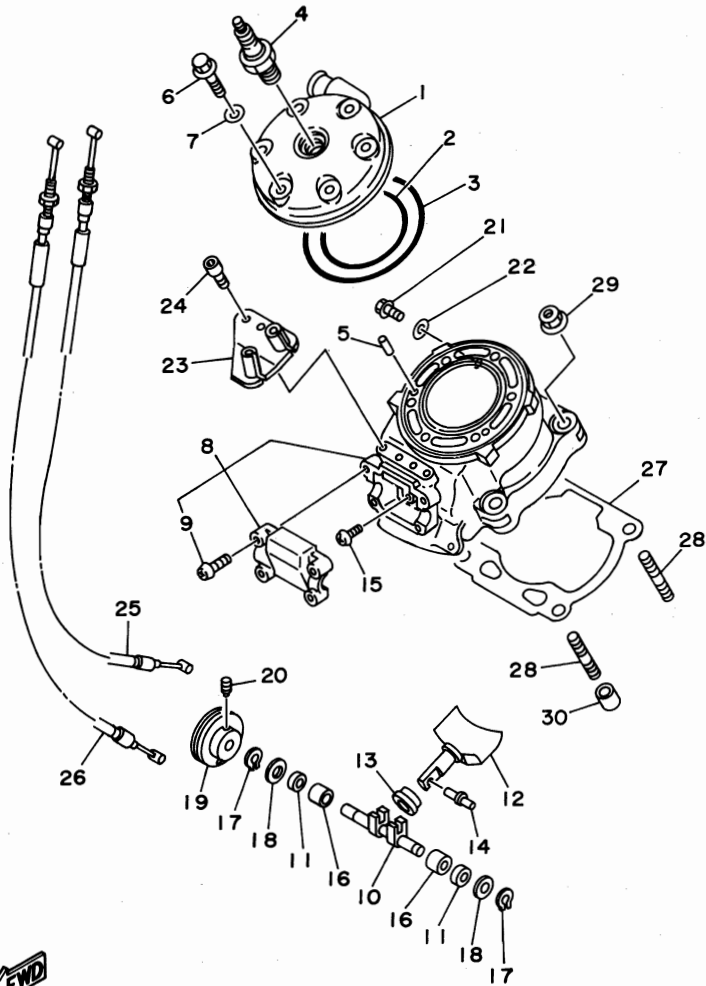


4JT1100-4010

**B2**

FIG. 1 CYLINDER HEAD

REF. NO.	PART NO.	DESCRIPTION	Q'TY	REMARKS
27	4JT-11351-10	GASKET, CYLINDER (0.7T)	1	AP
	4JT-11351-20	GASKET, CYLINDER (0.6T)	1	AP
28	90116-08409	BOLT, STUD	4	
29	95707-08500	NUT, FLANGE	4	
30	99510-10114	PIN, DOWEL	2	



4JT1100-4010

**B3**





4JT2100-5020

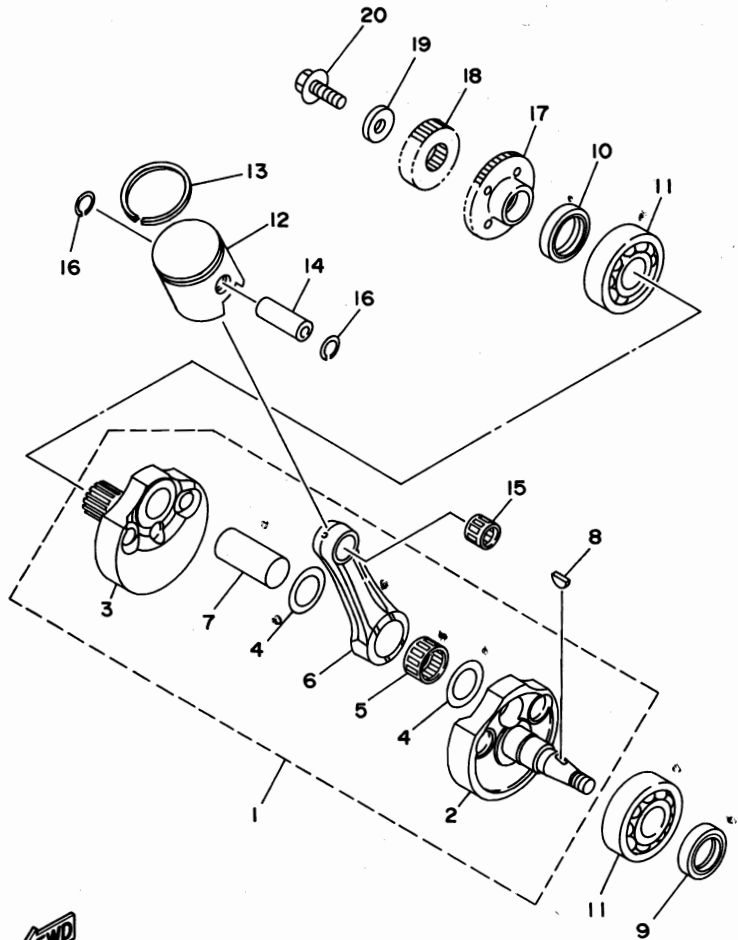


FIG. 2 CRANKSHAFT. PISTON

REF. NO.	PART NO.	DESCRIPTION	Q'TY	REMARKS
1	4JT-11400-01	CRANKSHAFT ASSY	1	
2	4JT-11412-01	.CRANK 1	1	
3	4JT-11422-01	.CRANK 2	1	
4	90209-24327	.WASHER	2	
5	93310-524P1	.BEARING, CYLINDRICAL	1	
6	4JT-11651-00	.ROD, CONNECTING	1	
7	4JT-11681-00	.PIN, CRANK 1	1	
8	90280-04001	KEY, WOODRUFF	1	
9	93102-25142	OIL SEAL	1	
10	93103-32177	OIL SEAL	1	
11	93306-30566	BEARING	2	
12	4DP-11631-01-A0	PISTON (STD)	1	UR
	4DP-11631-01-B0	PISTON (STD)	1	UR
	4DP-11631-01-C0	PISTON (STD)	1	UR
	4DP-11631-01-D0	PISTON (STD)	1	UR
13	1RK-11611-01	RING, PISTON	1	
14	137-11633-10	PIN, PISTON	1	
15	93310-316D5	BEARING, CYLINDRICAL	1	
16	93450-17129	CIRCLIP	2	
17	4JT-11536-00	GEAR, DRIVE	1	
18	4JT-16111-01	GEAR, PRIMARY DRIVE	1	
19	90201-10144	WASHER, PLATE	1	
20	90105-10445	BOLT, WASHER BASED	1	

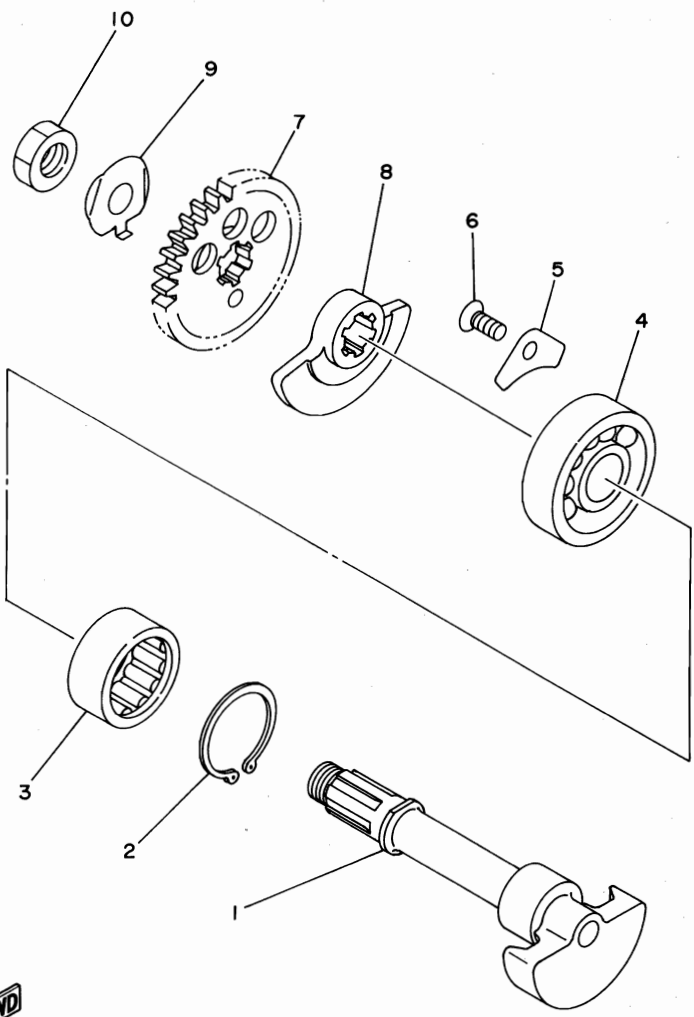


FIG. 3 COUNTER SHAFT

REF. NO.	PART NO.	DESCRIPTION	Q'TY	REMARKS
1	4JT-11455-00	SHAFT 1	1	
2	93420-37074	CIRCLIP	1	
3	93311-62574	BEARING, CYLINDRICAL	1	
4	93306-30316	BEARING	1	
5	2K7-15383-00	PLATE, BEARING COVER	1	
6	90151-06056	SCREW, COUNTERSUNK	1	
7	4JT-11531-00	GEAR, BALANCE WT	1	
8	4JT-11454-00	WEIGHT 1	1	
9	90215-14204	WASHER, LOCK	1	
10	90170-14171	NUT	1	



4JT1100-4030

**B5**

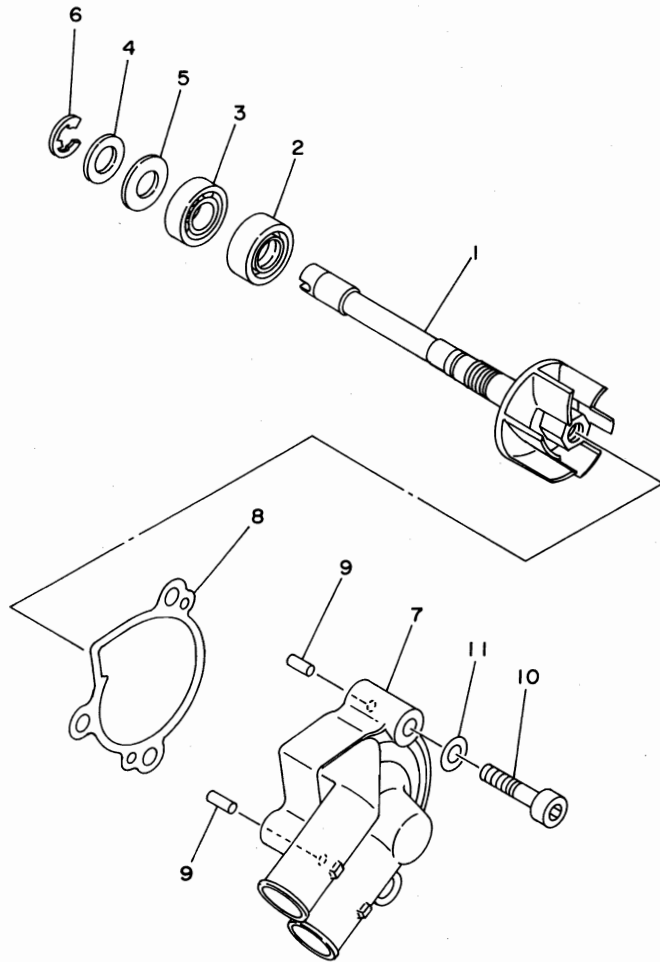


FIG. 4 WATER PUMP

REF. NO.	PART NO.	DESCRIPTION	Q'TY	REMARKS
1	4JT-12450-00	IMPELLER SHAFT ASSY	1	
2	93103-12119	OIL SEAL	1	
3	93306-90105	BEARING	1	
4	90201-114P2	WASHER, PLATE (1.0)	1	
5	90201-114P4	WASHER, PLATE (2.0)	1	
6	99009-11400	CIRCLIP	1	
7	4JT-12422-00	COVER, HOUSING	1	
8	4JT-12428-00	GASKET, HOUSING COVER 2	1	
9	93604-10011	PIN, DOWEL	2	
10	91317-06035	BOLT	3	
11	90430-06166	GASKET	1	

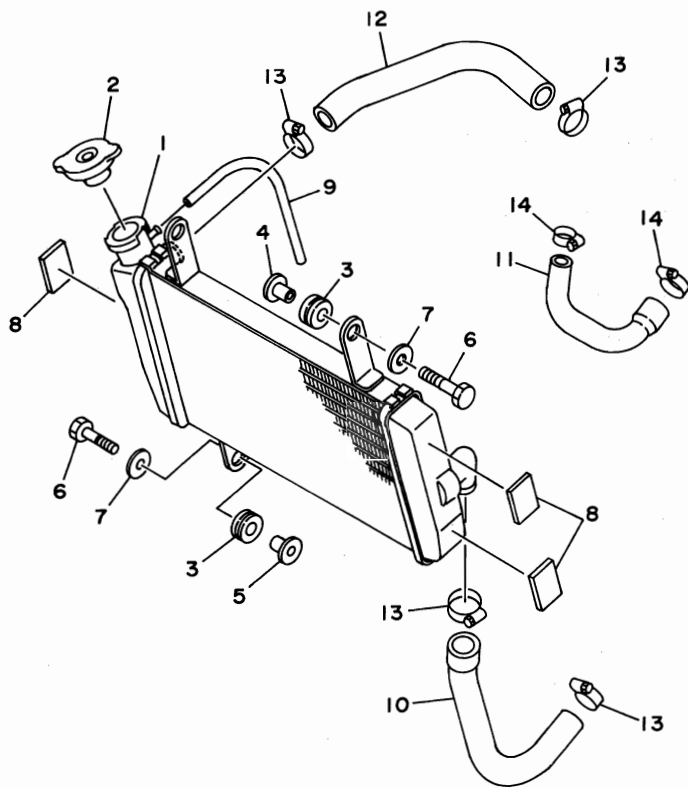


4JT1100-4040

**B6**

FIG. 5 RADIATOR. HOSE

REF. NO.	PART NO.	DESCRIPTION	Q'TY	REMARKS
1	4JT-12461-00	RADIATOR ASSY	1	
2	22W-12462-00	CAP, RADIATOR	1	
3	90480-15363	GROMMET	3	
4	90387-06068	COLLAR	2	
5	90387-06388	COLLAR	1	
6	95027-06030	BOLT	3	
7	90201-06571	WASHER, PLATE	3	
8	5H0-8235Y-M0	DAMPER	3	
9	90445-09078	HOSE	1	
10	4JT-12482-00	PIPE 2	1	
11	4JT-12483-00	PIPE 3	1	
12	4JT-12484-00	PIPE 4	1	
13	90460-20190	CLAMP, HOSE	4	
14	90450-28073	HOSE CLAMP ASSY	2	



4JT2100- 5050

**B7**

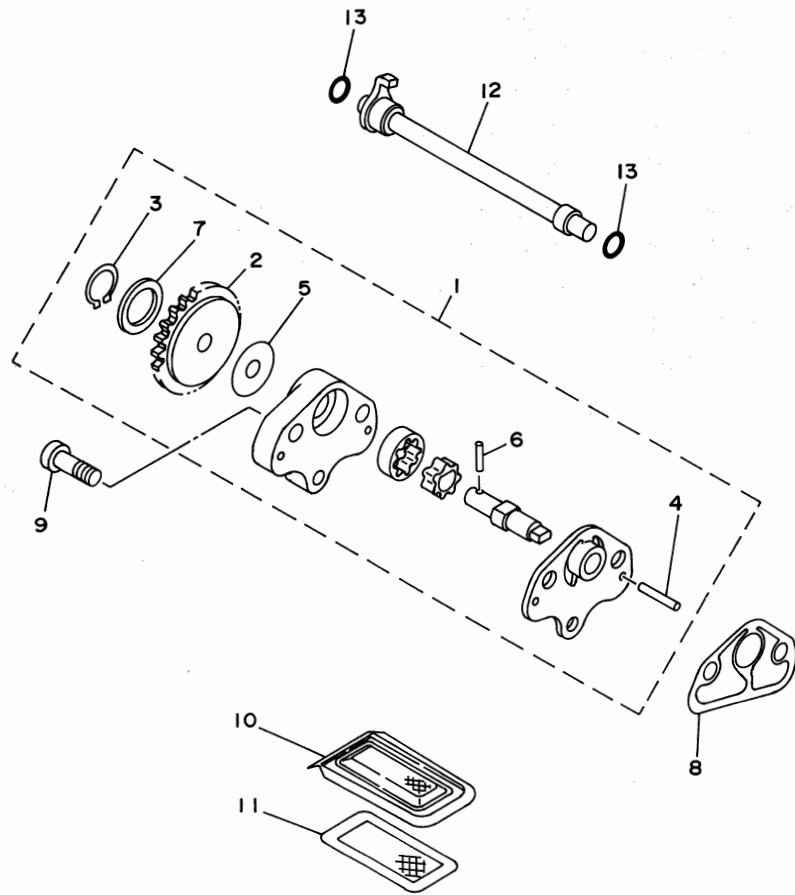


FIG. 6 OIL PUMP

REF. NO.	PART NO.	DESCRIPTION	Q'TY	REMARKS
1	4JT-13300-00	OIL PUMP ASSY	1	
2	4JT-13325-00	.GEAR, PUMP DRIVEN	1	
3	99009-12400	.CIRCLIP	1	
4	93603-07073	.PIN, DOWEL	1	
5	90201-070J2	.WASHER, PLATE	2	
6	93602-12247	.PIN, DOWEL	1	
7	90201-126A7	.WASHER, PLATE	1	
8	22F-13329-01	GASKET, PUMP COVER	1	
9	90155-06007	SCREW, FLAT FILLISTER	2	
10	3XV-13411-00	STRAINER, OIL	1	
11	3XV-13421-00	STRAINER 2	1	
12	4JT-13161-00	PIPE, DELIVERY 1	1	
13	93210-06632	O-RING	2	

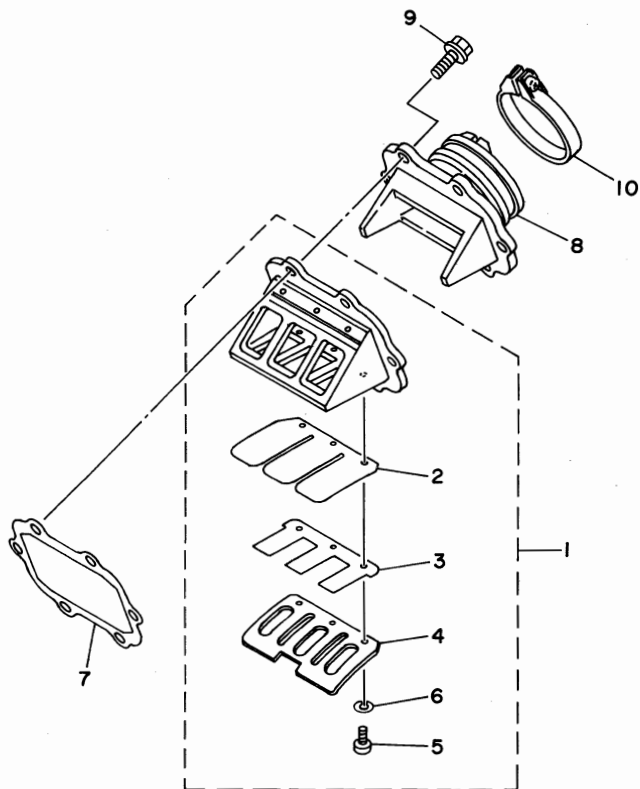


4JT2100-5060

**B8**

FIG. 7 INTAKE

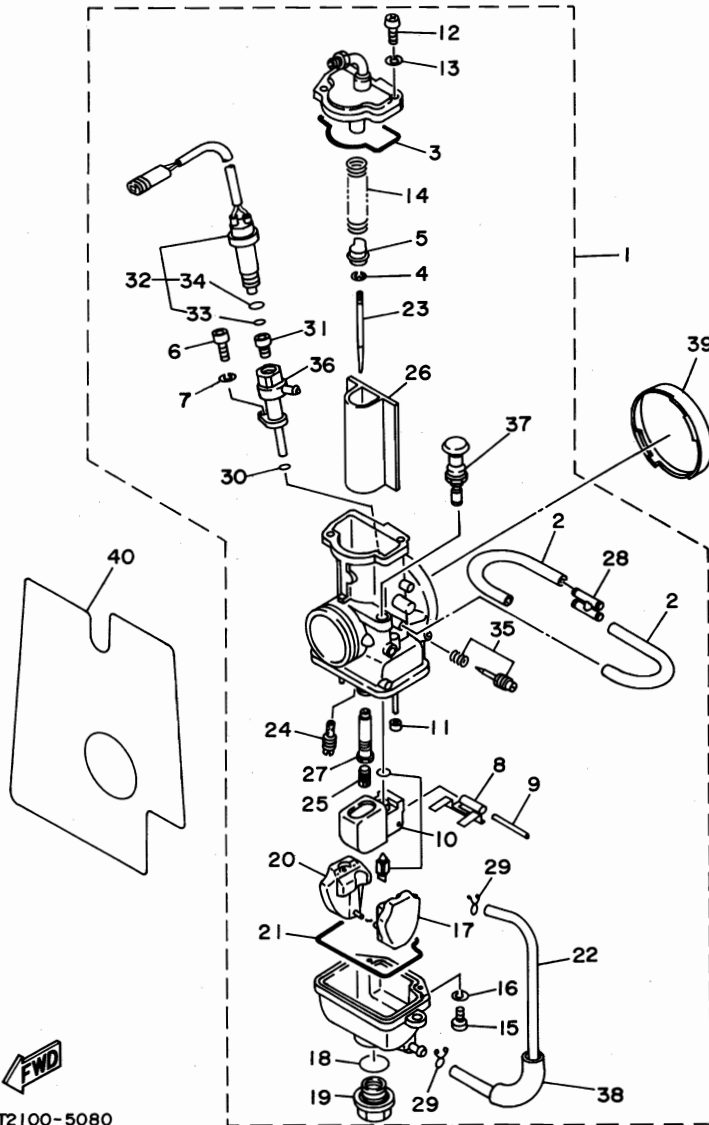
REF. NO.	PART NO.	DESCRIPTION	Q'TY	REMARKS
1	4JT-13610-00	REED VALVE ASSY	1	
2	3XV-13613-01	.REED, VALVE	2	
3	4JT-13614-00	.REED, VALVE 2	2	
4	4JT-13616-00	.STOPPER, REED VALVE	2	
5	98507-03006	.SCREW, PAN HEAD	6	
6	92990-03100	.WASHER, SPRING	6	
7	4JT-13621-00	GASKET, VALVE SEAT	1	
8	4JT-13555-00	MANIFOLD, INTAKE	1	
9	91317-06020	BOLT	6	
10	90450-51070	HOSE CLAMP ASSY	1	



4JT1100-4070

**B9**

FIG. 8 CARBURETOR



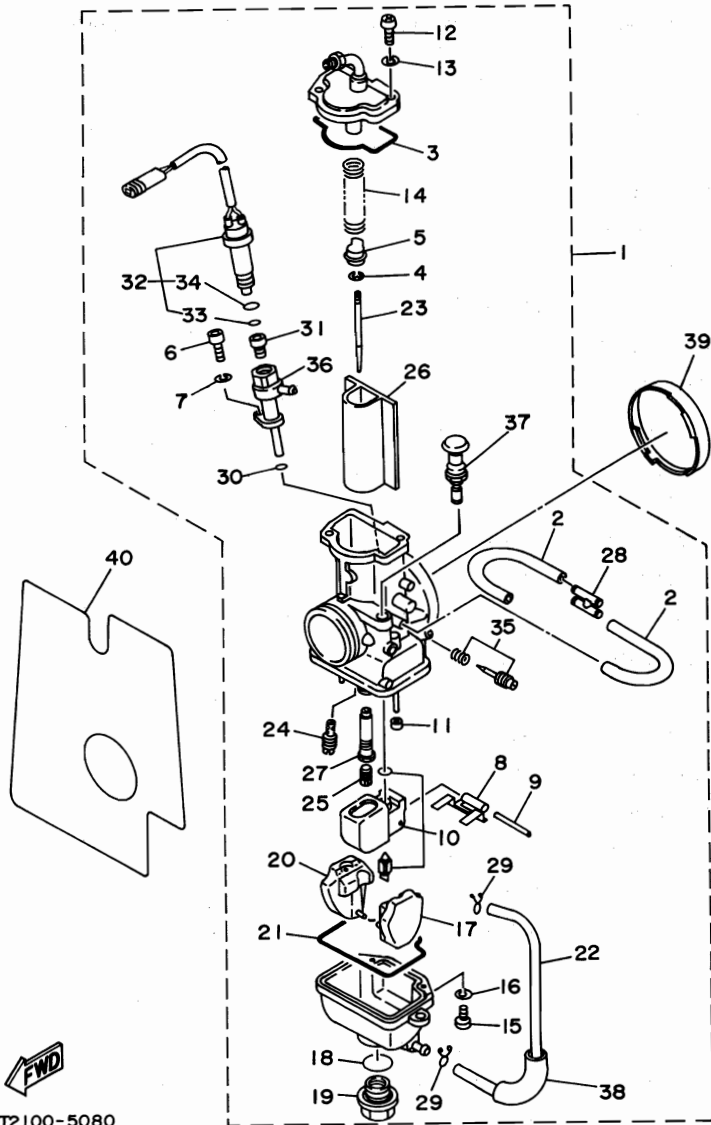
REF. NO.	PART NO.	DESCRIPTION	Q'TY	REMARKS
1	4JT-14101-10	CARBURETOR ASSY 1	1	
2	310-14196-00	.PIPE	2	
3	3JD-14147-00	.O-RING	1	
4	256-14919-00	.CLIP	1	
5	3JD-14194-00	.RING	1	
6	91317-04010	.BOLT	1	
7	92907-04100	.WASHER, SPRING	1	
8	363-14187-00	.ARM, FLOAT	1	
9	353-14186-00	.PIN, FLOAT	1	
10	4DP-14107-35	.NEEDLE VALVE SET	1	
11	214-14118-00	.CAP	2	
12	98517-04012	.SCREW, PAN HEAD	2	
13	92907-04100	.WASHER, SPRING	2	
14	3JD-14131-00	.SPRING, THROTTLE VALVE	1	
15	98507-03010	.SCREW, PAN HEAD	1	
16	92990-03100	.WASHER, SPRING	1	
17	3JD-14185-00	.FLOAT	1	
18	3JE-14561-00	.O-RING	1	
19	4DP-14115-00	.PLUG, SCREW	1	
20	3JE-14185-00	.FLOAT	1	
21	3JE-14147-00	.O-RING	1	
22	3V3-14987-00	.HOSE	1	
23	275-14116-F0	.NEEDLE	1	
24	193-14142-20	.JET, PILOT (#20)	1	STD
	193-14142-17	.JET, PILOT (#17.5)	1	UR
	193-14142-15	.JET, PILOT (#15)	1	UR
25	137-1414K-12	.JET, MAIN (#560)	1	STD
	137-1414K-08	.JET, MAIN (#540)	1	UR



4JT2100-5080

**B10**

FIG. 8 CARBURETOR



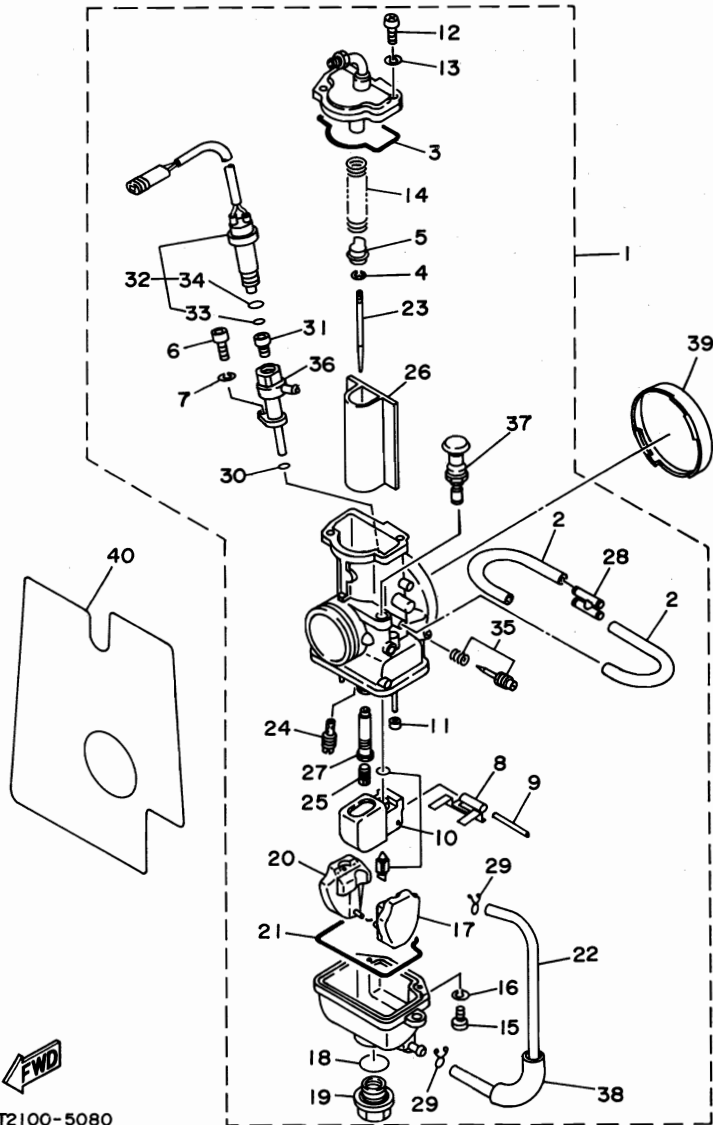
REF. NO.	PART NO.	DESCRIPTION	Q'TY	REMARKS
25	137-1414K-04	.JET, MAIN (#520)	1	UR
	137-1414K-00	.JET, MAIN (#500)	1	UR
	137-14143-98	.JET, MAIN (#490)	1	UR
	137-14143-96	.JET, MAIN (#480)	1	UR
	137-14143-94	.JET, MAIN (#470)	1	UR
	137-14143-92	.JET, MAIN (#460)	1	UR
	137-14143-90	.JET, MAIN (#450)	1	UR
	137-14143-88	.JET, MAIN (#440)	1	UR
	137-14143-86	.JET, MAIN (#430)	1	UR
	137-14143-84	.JET, MAIN (#420)	1	UR
	137-14143-82	.JET, MAIN (#410)	1	UR
	137-14143-80	.JET, MAIN (#400)	1	UR
	137-14143-78	.JET, MAIN (#390)	1	UR
	137-14143-76	.JET, MAIN (#380)	1	UR
	137-14143-74	.JET, MAIN (#370)	1	UR
	137-14143-72	.JET, MAIN (#360)	1	UR
	137-14143-70	.JET, MAIN (#350)	1	UR
	137-14143-68	.JET, MAIN (#340)	1	UR
	137-14143-66	.JET, MAIN (#330)	1	UR
26	3JD-14112-35	.VALVE, THROTTLE (C.A 3:5)	1	
27	3TC-14141-R7	.NOZZLE, MAIN (R-7)	1	STD
	3TC-14141-R5	.NOZZLE, MAIN (R-5)	1	UR
	3TC-14141-R4	.NOZZLE, MAIN (R-4)	1	UR
	3TC-14141-R3	.NOZZLE, MAIN (R-3)	1	UR
28	8JO-14251-00	.NIPPLE	1	
29	8A7-14139-00	.CLIP, PIPE	2	
30	214-14147-00	.O-RING	1	
31	3G2-14231-12	.JET, POWER (#60)	1	STD

**B11**



FIG. 8 CARBURETOR

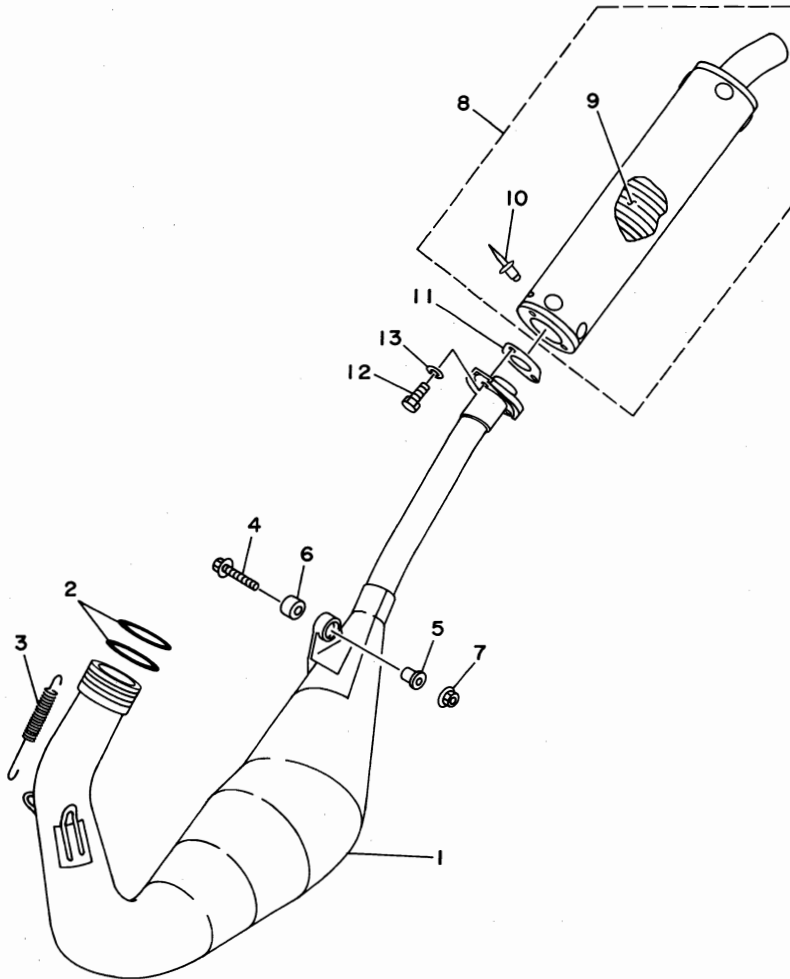
REF. NO.	PART NO.	DESCRIPTION	Q'TY	REMARKS
31	3G2-14231-11	.JET, POWER (#55)	1	UR
	3G2-14231-13	.JET, POWER (#65)	1	UR
32	3LC-1410H-00	.FUEL CUT SOLENOID VALVE	1	
33	3LC-14147-00	..O-RING	1	
34	3LC-1416A-00	..O-RING	1	
35	3JD-14104-00	.AIR SCREW SET	1	
36	4DP-14261-00	.HOLDER	1	
37	3JE-14171-00	.PLUNGER, STARTER	1	
38	4JT-14349-00	.PIPE	1	
39	4JT-14157-00	COVER, MIXING	1	
40	4JT-14283-00	COVER, CARBURETOR 1	1	



4JT2100-5080

**B12**

FIG. 9 EXHAUST

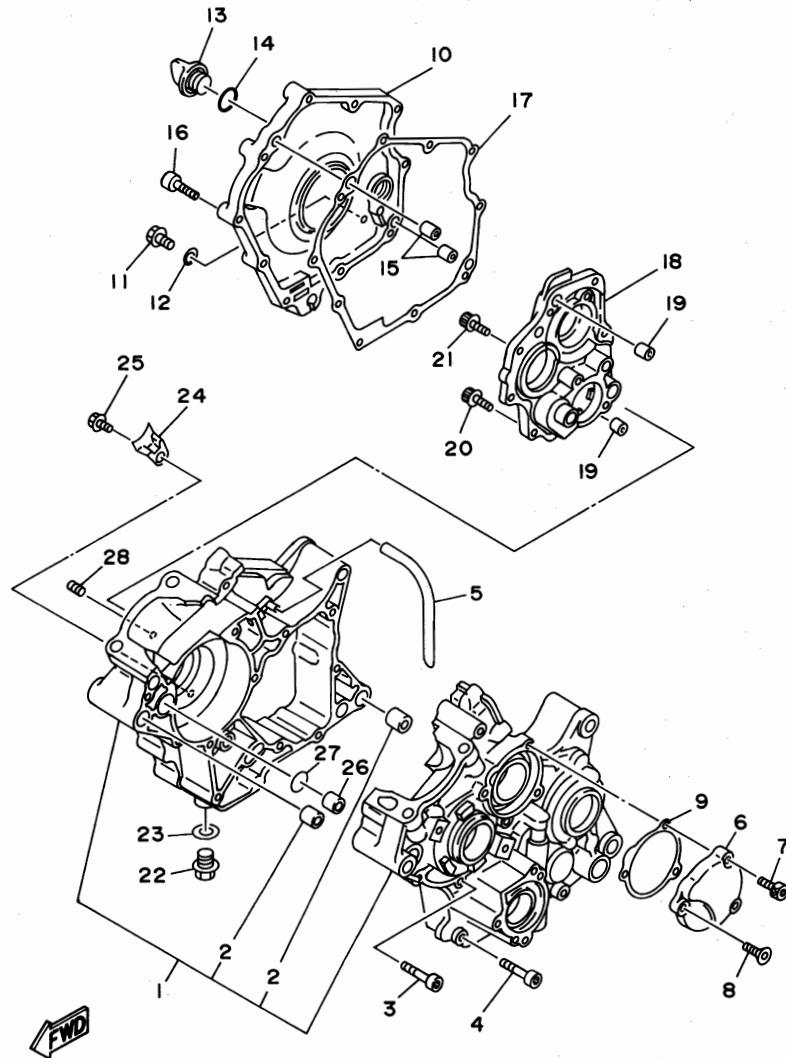


REF. NO.	PART NO.	DESCRIPTION	Q'TY	REMARKS
1	4JT-14610-20	EXHAUST PIPE ASSY 1	1	UR
	4JT-14610-30	EXHAUST PIPE ASSY 1	1	UR FOR U.S.A.
2	93210-42728	O-RING	2	
3	90507-20061	SPRING, TENSION	2	
4	95817-08040	BOLT, FLANGE	1	
5	90387-0803Y	COLLAR	1	
6	4A0-21485-00	DAMPER, RUBBER 1	1	
7	90185-08097	NUT, SELF-LOCKING	1	
8	4JT-14753-00	SILENCER, EXHAUST	1	
9	4DP-1469A-00	.FIBER	1	
10	90267-48147	.RIVET, BLIND	10	
11	4DP-14755-00	GASKET, SILENCER	1	
12	97027-06020	BOLT	2	
13	92907-06100	WASHER	2	

**FWD**  
4JT1100-4090

**B13**

FIG. 10 CRANKCASE

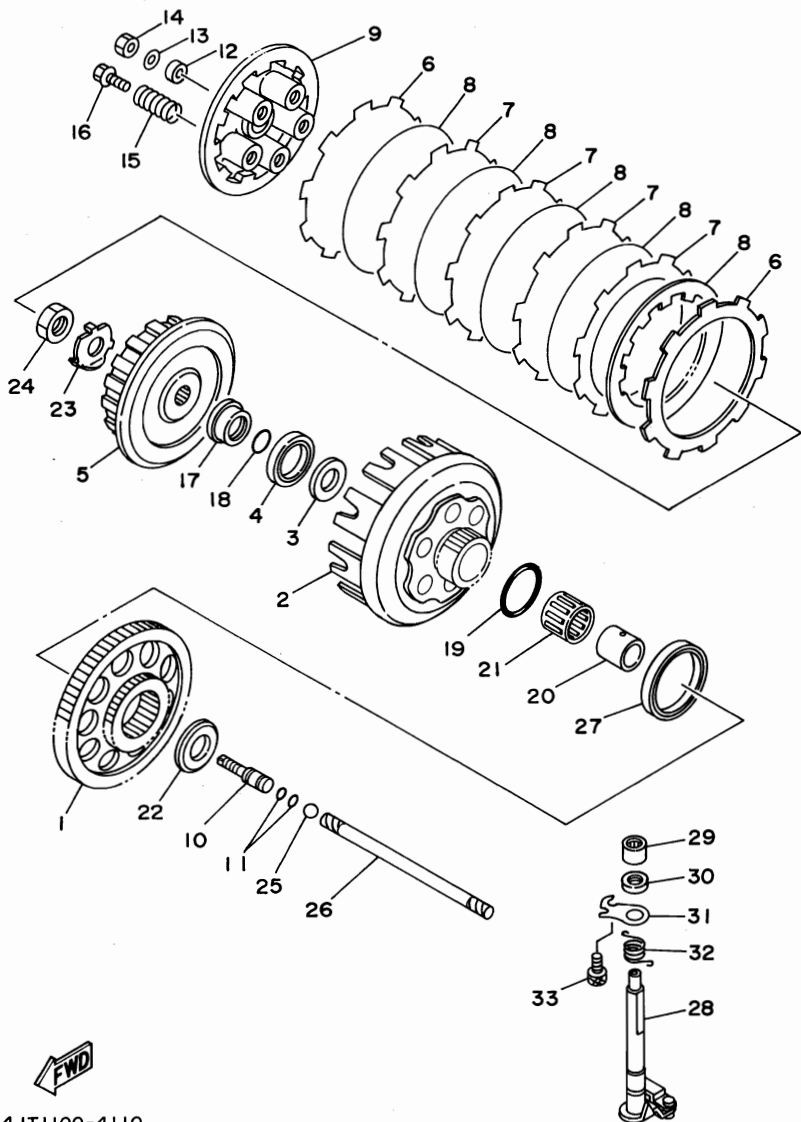


4JT1100-4100

REF. NO.	PART NO.	DESCRIPTION	Q'TY	REMARKS
1	4JT-15100-01	CRANKCASE ASSY	1	
2	91814-16009	.PIN, DOWEL	2	
3	91317-06060	BOLT	9	
4	91317-06045	BOLT	4	
5	90445-092J9	HOSE	1	
6	4JT-15411-00	COVER, CRANKCASE 1	1	
7	91317-06020	BOLT	2	
8	90149-06286	SCREW	1	
9	4JT-15451-00	GASKET, CRANKCASE COVER 1	1	
10	4JT-15421-01	COVER, CRANKCASE 2	1	
11	90338-06041	PLUG	1	
12	90430-06166	GASKET	1	
13	4A0-15363-00	PLUG, OIL	1	
14	93210-21190	O-RING	1	
15	99530-10014	PIN, DOWEL	2	
16	91317-06030	BOLT	10	
17	4JT-15461-00	GASKET, CRANKCASE COVER 2	1	
18	4JT-15131-00	CRANKCASE 3	1	
19	99530-10014	PIN, DOWEL	2	
20	90109-065F8	BOLT	5	
21	90109-067E6	BOLT	2	
22	90340-12144	PLUG, STRAIGHT SCREW	1	
23	90430-12202	GASKET	1	
24	3R3-15128-01	HOLDER	1	
25	90105-08729	BOLT, WASHER BASED	1	
26	91814-16009	PIN, DOWEL	1	
27	93210-14515	O-RING	1	
28	90113-08056	BOLT, SET	1	

**B14**

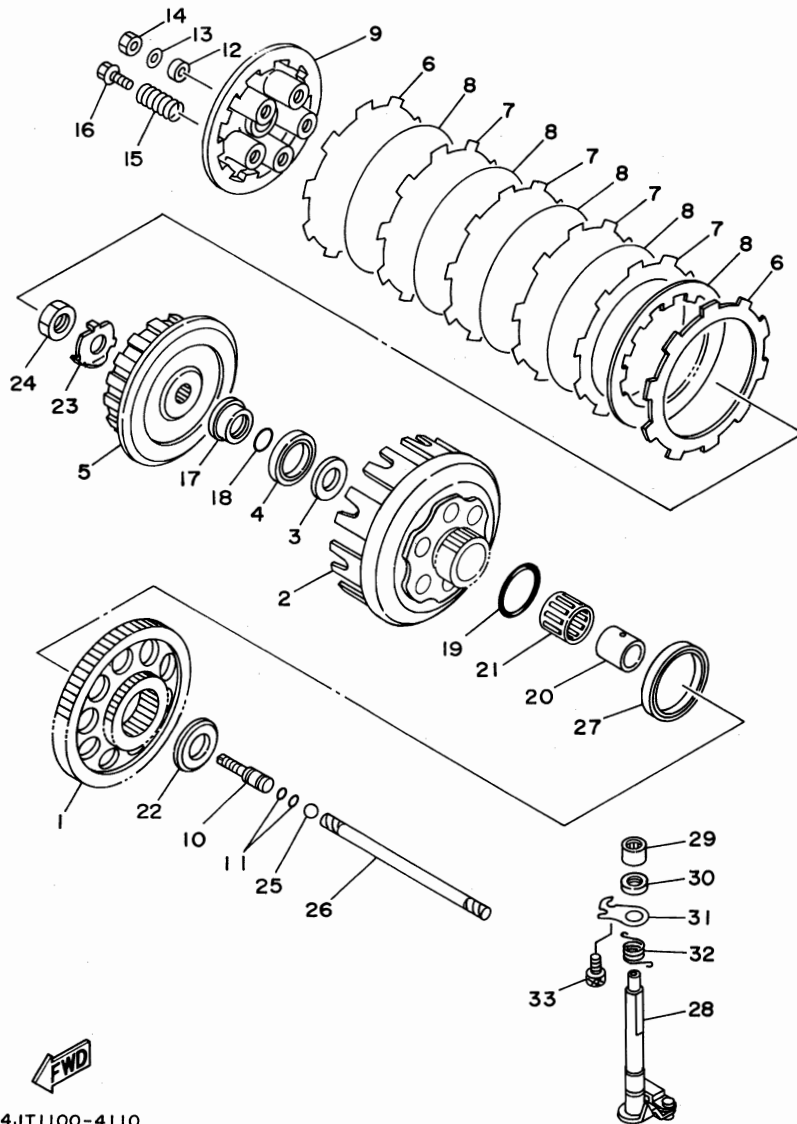
FIG. 11 CLUTCH



REF. NO.	PART NO.	DESCRIPTION	Q'TY	REMARKS
1	4JT-16151-01	GEAR, PRIMARY DRIVEN	1	
2	4JT-16310-00	CLUTCH HOUSING ASSY	1	
3	90201-174E1	WASHER, PLATE	1	
4	93102-26042	OIL SEAL	1	
5	4JT-16371-00	BOSS, CLUTCH	1	
6	4JT-16321-00	PLATE, FRICTION	2	
7	4JT-16331-00	PLATE, FRICTION 2	4	
8	257-16324-00	PLATE, CLUTCH 1	5	
9	37F-16351-00	PLATE, PRESSURE 1	1	
10	4JT-16356-00	ROD, PUSH 1	1	
11	93210-48364	O-RING	2	
12	1W1-16358-01	PLATE, PUSH	1	
13	92907-06200	WASHER	1	
14	95317-06600	NUT	1	
15	90501-20361	SPRING, COMPRESSION	5	
16	90119-05001	BOLT, WITH WASHER	5	
17	4JT-16184-00	PLATE, THRUST	1	
18	93210-16314	O-RING	1	
19	93210-34633	O-RING	1	
20	4JT-16181-00	SPACER 1	1	
21	93310-225N0	BEARING, CYLINDRICAL	1	
22	4JT-16154-00	PLATE, THRUST 1	1	
23	90215-14204	WASHER, LOCK	1	
24	90170-14171	NUT	1	
25	93505-16006	BALL	1	
26	5H0-16357-00	ROD, PUSH 2	1	
27	93101-45091	OIL SEAL	1	
28	4JT-16380-00	PUSH LEVER ASSY	1	

4JT1100-4110

**B15**



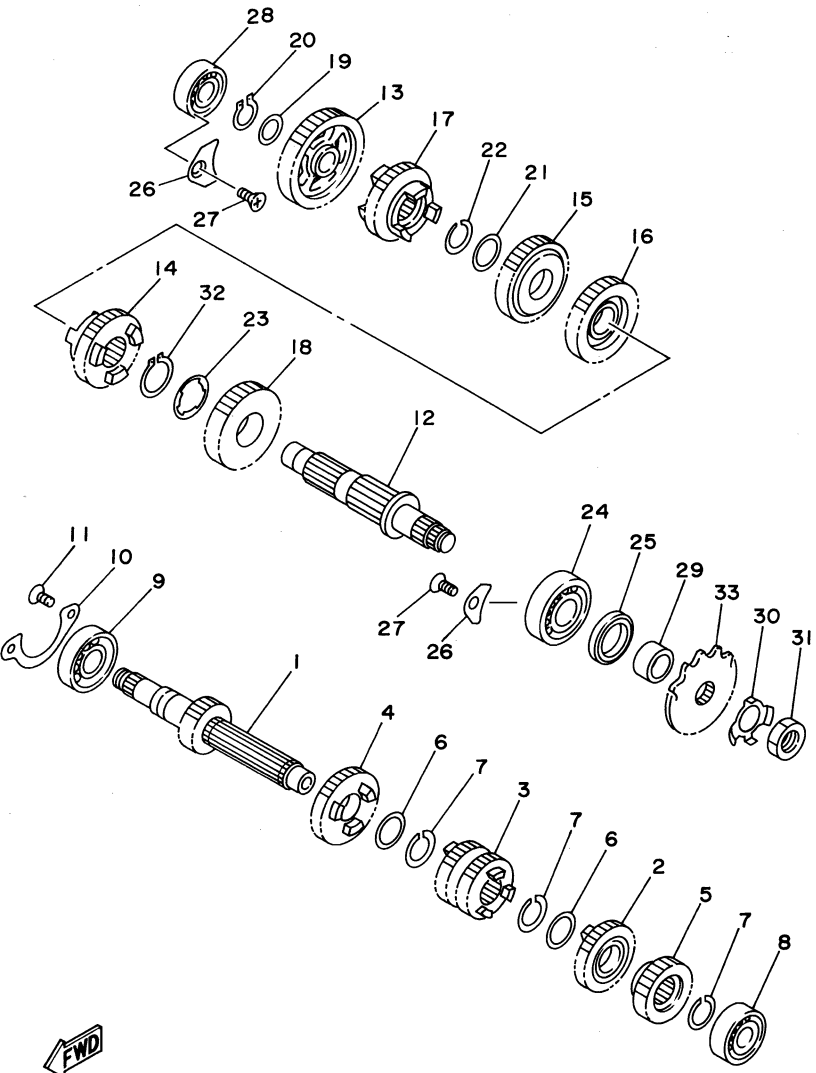
4JT1100-4110

FIG. 11 CLUTCH

REF. NO.	PART NO.	DESCRIPTION	Q'TY	REMARKS
29	93315-11206	BEARING, CYLINDRICAL	1	
30	93102-12224	OIL SEAL	1	
31	4JT-16384-00	PLATE, SEAT	1	
32	90508-145A5	SPRING, TORSION	1	
33	91317-06010	BOLT	1	

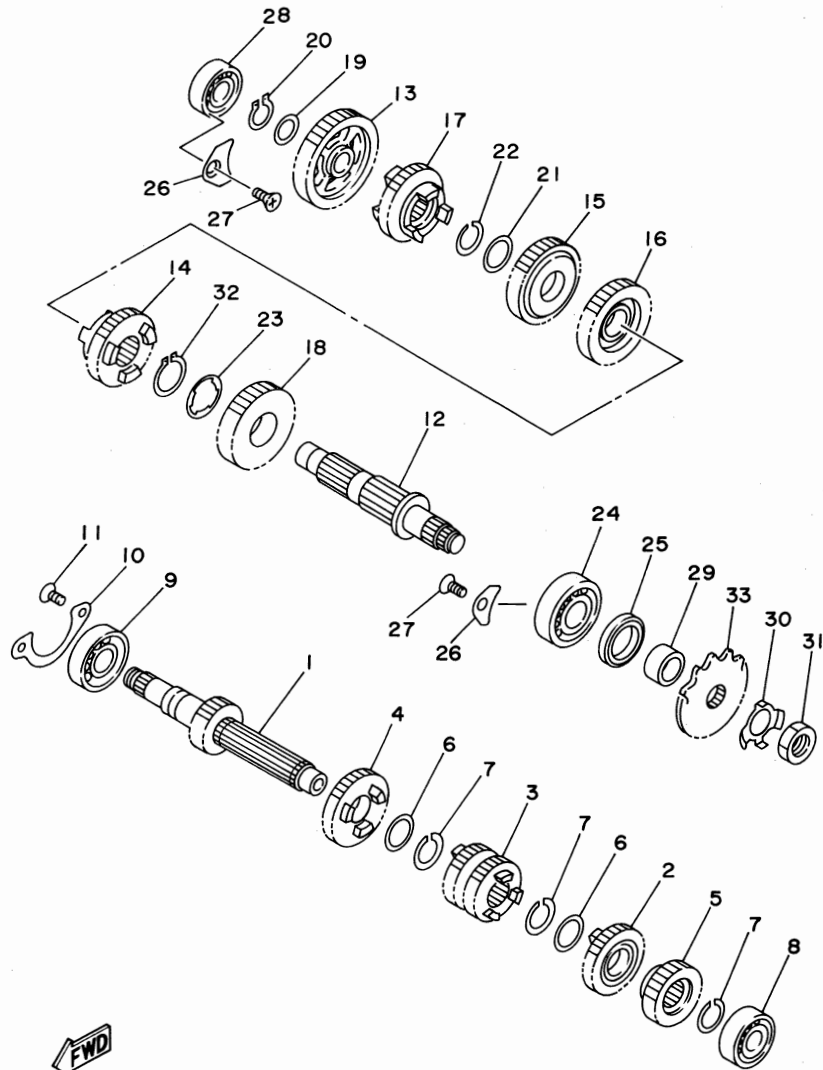
FIG. 12 TRANSMISSION

REF. NO.	PART NO.	DESCRIPTION	Q'TY	REMARKS
1	4JT-17411-00	AXLE, MAIN (15T)	1	
2	4JT-17151-10	GEAR, 5TH PINION (23T)	1	STD
	4JT-17151-00	GEAR, 5TH PINION (26T)	1	UR
	4JT-17151-20	GEAR, 5TH PINION (21T)	1	UR
3	4JT-17131-10	GEAR, 3RD/4TH PINION (19T/22T)	1	STD
	4JT-17131-00	GEAR, 3RD/4TH PINION (16T/22T)	1	UR
	4JT-17131-20	GEAR, 3RD/4TH PINION (19T/20T)	1	UR
4	4JT-17161-10	GEAR, 6TH PINION (27T)	1	STD
	4JT-17161-00	GEAR, 6TH PINION (21T)	1	UR
	4JT-17161-20	GEAR, 6TH PINION (22T)	1	UR
5	4JT-17121-10	GEAR, 2ND PINION (17T)	1	STD
	4JT-17121-00	GEAR, 2ND PINION (21T)	1	UR
	4JT-17121-20	GEAR, 2ND PINION (20T)	1	UR
6	90209-18208	WASHER	2	
7	93410-22039	CIRCLIP	3	
8	93306-20336	BEARING	1	
9	93306-20421	BEARING (B6204)	1	
10	4JT-15383-00	PLATE, BEARING COVER	1	
11	90151-06056	SCREW, COUNTERSUNK	2	
12	4JT-17421-00	AXLE, DRIVE	1	
13	4JT-17211-00	GEAR, 1ST WHEEL (30T)	1	STD
	4JT-17211-10	GEAR, 1ST WHEEL (29T)	1	UR
14	4JT-17251-10	GEAR, 5TH WHEEL (26T)	1	STD
	4JT-17251-00	GEAR, 5TH WHEEL (30T)	1	UR
	4JT-17251-20	GEAR, 5TH WHEEL (23T)	1	UR
15	4JT-17231-10	GEAR, 3RD WHEEL (26T)	1	STD
	4JT-17231-00	GEAR, 3RD WHEEL (23T)	1	UR
	4JT-17231-20	GEAR, 3RD WHEEL (25T)	1	UR



4JT1100-4120

C3

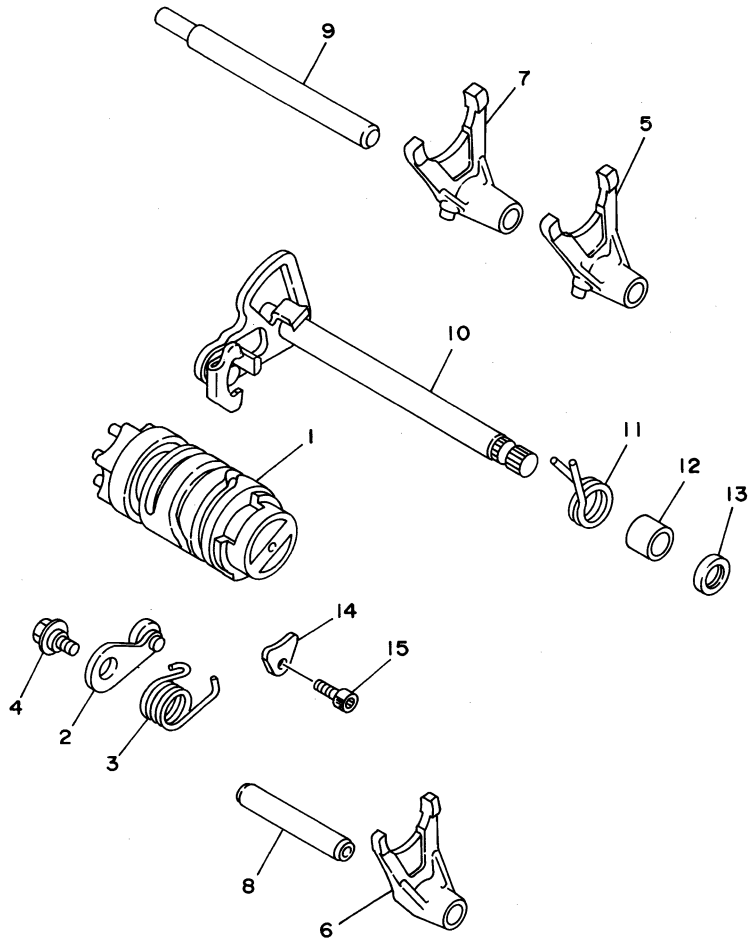


4JT1100-4120

FIG. 12 TRANSMISSION

REF. NO.	PART NO.	DESCRIPTION	Q'TY	REMARKS
16	4JT-17241-10	GEAR, 4TH WHEEL (27T)	1	STD
	4JT-17241-00	GEAR, 4TH WHEEL (28T)	1	UR
	4JT-17241-20	GEAR, 4TH WHEEL (24T)	1	UR
17	4JT-17261-10	GEAR, 6TH WHEEL (29T)	1	STD
	4JT-17261-00	GEAR, 6TH WHEEL (23T)	1	UR
18	4JT-17221-10	GEAR, 2ND WHEEL (27T)	1	STD
	4JT-17221-00	GEAR, 2ND WHEEL (35T)	1	UR
	4JT-17221-20	GEAR, 2ND WHEEL (30T)	1	UR
19	90201-177G4	WASHER, PLATE	1	
20	93410-17037	CIRCLIP	1	
21	90209-18208	WASHER	1	
22	93410-22039	CIRCLIP	1	
23	90209-23241	WASHER	1	
24	93306-30427	BEARING	1	
25	93102-26042	OIL SEAL	1	
26	4JT-15381-01	PLATE, BEARING COVER	3	
27	90151-06056	SCREW, COUNTERSUNK	3	
28	93306-20336	BEARING	1	
29	90387-204Y5	COLLAR	1	
30	90215-20261	WASHER, LOCK	1	
31	90179-16226	NUT	1	
32	93410-26067	CIRCLIP	1	
33	938AA-17196	SPROCKET, DRIVE (17T)	1	STD
	938AA-16198	SPROCKET, DRIVE (16T)	1	UR
	938AA-18199	SPROCKET, DRIVE (18T)	1	UR

FIG. 13 SHIFT CAM. FORK



REF. NO.	PART NO.	DESCRIPTION	Q'TY	REMARKS
1	4JT-18540-10	SHIFT CAM ASSY	1	
2	4JT-18140-10	STOPPER LEVER ASSY	1	
3	90508-235A8	SPRING, TORSION	1	
4	90109-063F7	BOLT	1	
5	4JT-18511-00	FORK, SHIFT 1	1	
6	4JT-18512-00	FORK, SHIFT 2	1	
7	4JT-18513-01	FORK, SHIFT 3	1	
8	4JT-18531-00	BAR, SHIFT FORK GUIDE 1	1	
9	4JT-18535-00	BAR, SHIFT FORK GUIDE 2	1	
10	4JT-18101-00	SHIFT SHAFT ASSY	1	
11	90508-290A8	SPRING, TORSION	1	
12	90560-12280	SPACER	1	
13	93109-12012	OIL SEAL	1	
14	4JT-18562-00	PLATE, STOPPER 2	2	
15	90110-05227	BOLT, HEXAGON SOCKET HEAD	2	



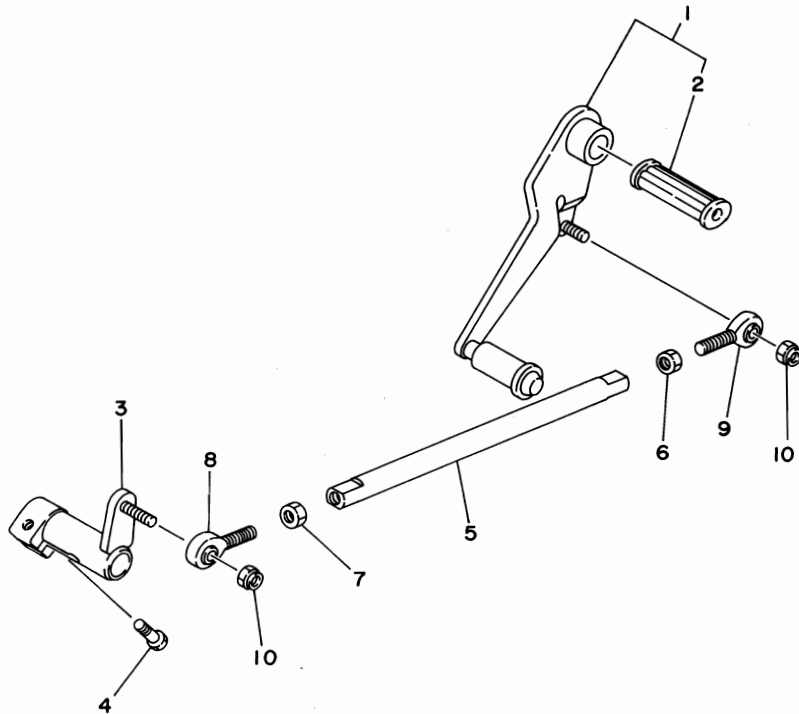
4JT1100-4130

C5



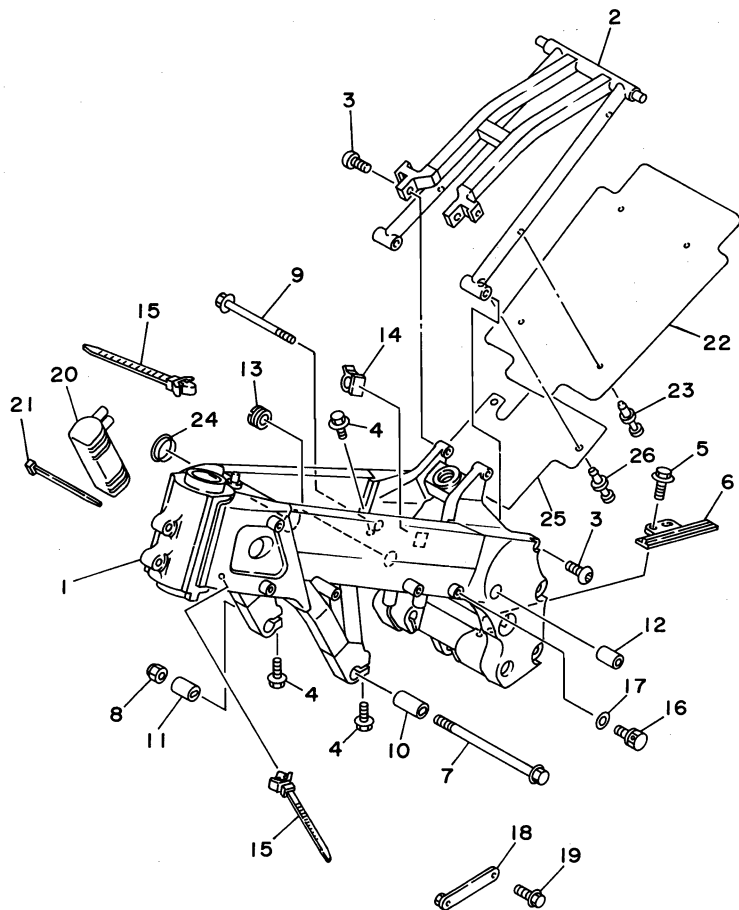
FIG. 14 SHIFT SHAFT

REF. NO.	PART NO.	DESCRIPTION	Q'TY	REMARKS
1	4JT-18110-00	SHIFT PEDAL ASSY	1	
2	240-18113-00	.COVER, SHIFT PEDAL	1	
3	4JT-18112-00	ARM, SHIFT	1	
4	97017-06020	BOLT	1	
5	4JT-18115-00	ROD, SHIFT	1	
6	90170-06228	NUT (COUNTER CLOCKWISE)	1	
7	95304-06700	NUT	1	
8	3TC-18116-00	JOINT, ROD 1	1	
9	3TC-18117-00	JOINT, ROD 2	1	
10	95607-06100	NUT, U	2	



4JT1100-4140

FIG. 15 FRAME

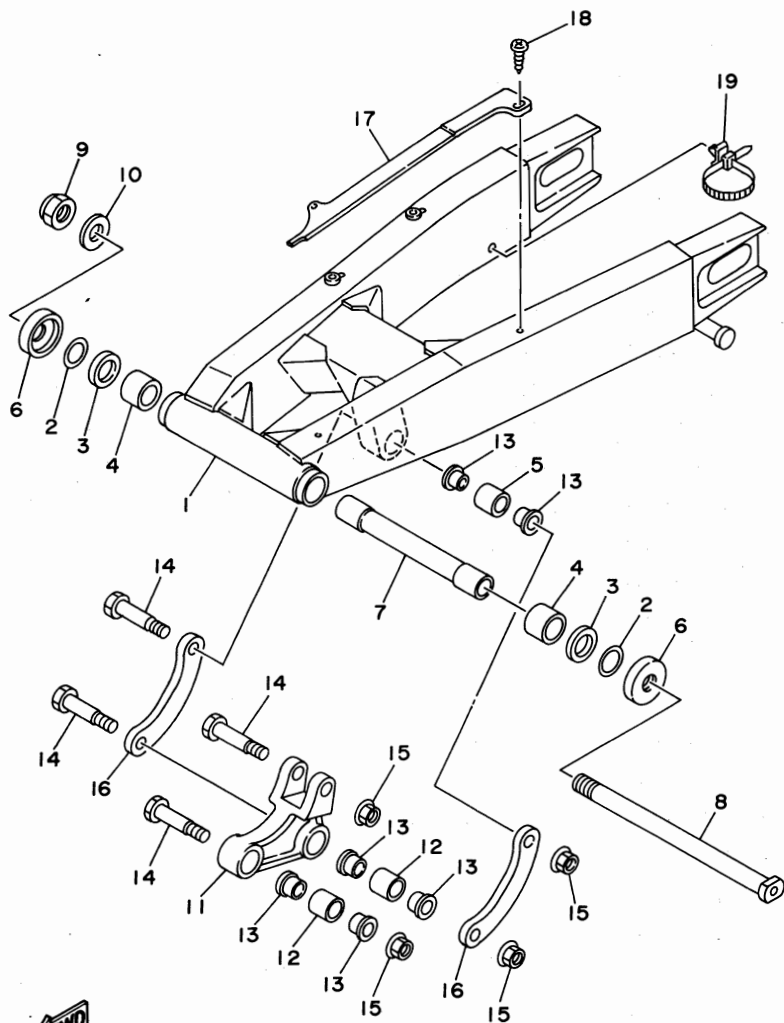


REF. NO.	PART NO.	DESCRIPTION	Q'TY	REMARKS
1	4JT-21110-10	FRAME COMP.	1	
2	4JT-21190-00	REAR FRAME COMP.	1	
3	92017-08025	BOLT, BUTTON HEAD	4	
4	90109-067E6	BOLT	4	
5	90119-05071	BOLT, WITH WASHER	2	
6	3YL-22151-00	SEAL, GUARD	1	
7	90105-10726	BOLT, WASHER BASED	1	
8	95617-10200	NUT, SELF-LOCKING	1	
9	90105-10183	BOLT, WASHER BASED	2	
10	4JT-21117-00	SLEEVE 1	1	
11	4JT-21118-00	SLEEVE 2	1	
12	90179-10594	NUT	2	
13	4JT-21495-00	BOLT, ENGINE ADJUSTING	1	
14	90464-25160	CLAMP	1	
15	90464-12089	CLAMP	2	
16	90338-06041	PLUG	2	
17	90430-06166	GASKET	2	
18	4JT-2117A-00	STAY	1	
19	95027-06016	BOLT, FLANGE	1	
20	3YL-21751-00	TANK, OIL	1	
21	90464-14117	CLAMP	2	
22	4JT-21629-10	GUARD, MUD	1	
23	90269-05049	RIVET	4	
24	4JT-2117G-00	PROTECTOR	1	
25	4JT-21642-00	GUARD, FLAP	1 AP	
26	90269-05049	RIVET	2 AP	



4JT2100-5150

C7

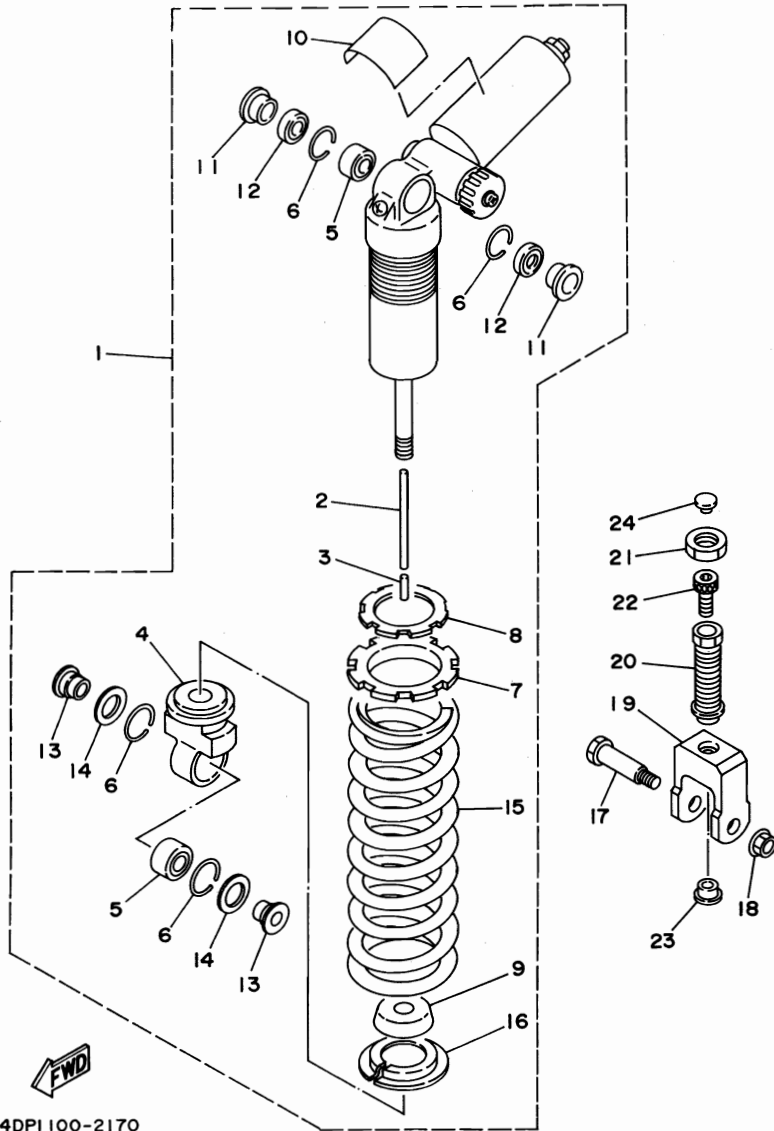


4JT1100-4160

FIG. 16 REAR ARM

REF. NO.	PART NO.	DESCRIPTION	Q'TY	REMARKS
1	4JT-22110-01	REAR ARM COMP.	1	
2	156-22127-00	SHIM (0.3T)	3	
3	93342-22215	BEARING, THRUST	2	
4	93317-32231	BEARING, CYLINDRICAL	2	
5	93320-21507	BEARING	1	
6	4EW-22129-00	COVER, THRUST 2	2	
7	4JT-22184-00	BUSH	1	
8	1LX-22141-00	SHAFT, PIVOT	1	
9	90185-16127	NUT, SELF-LOCKING	1	
10	92907-16200	WASHER, PLAIN	1	
11	4JT-2217A-00	ARM, RELAY	1	
12	93320-21507	BEARING	2	
13	90387-124Y8	COLLAR	6	
14	90101-10709	BOLT	4	
15	95617-10200	NUT, SELF-LOCKING	4	
16	4JT-2217F-00	ROD, CONNECTING 1	2	
17	4JT-22151-00	SEAL, GUARD	2	
18	97707-50012	SCREW, TAPPING	4	
19	90464-12089	CLAMP	1	

FIG. 17 REAR SUSPENSION

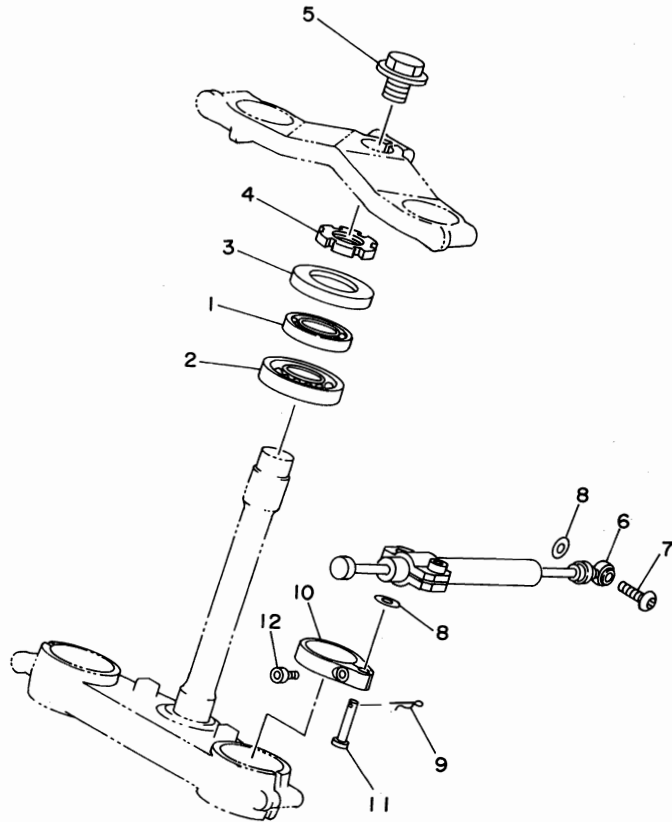


4DPI 100-2170

REF. NO.	PART NO.	DESCRIPTION	Q'TY	REMARKS
1	4JT-22210-50	SHOCK ABSORBER ASSY, REAR	1	
2	4JT-22489-00	.ROD, PUSH	1	
3	93605-20204	.PIN, DOWEL	1	
4	4DP-22219-00	.BRACKET, UPPER	1	
5	93399-99935	.BEARING	2	
6	93440-30113	.CIRCLIP	4	
7	1KH-22223-00	.SEAT, SPRING LOWER	1	
8	1RK-22215-00	.RING, COVER	1	
9	3AK-22493-00	.BUMP, STOP	1	
10	4AA-22259-00	.LABEL, WARNING	1	UR FOR U.S.A./CANADA
	4AA-22259-10	.LABEL, WARNING	1	UR FOR CANADA
	4AA-22259-20	.LABEL, WARNING	1	UR FOR JAPAN
	4AA-22259-40	.LABEL, WARNING	1	UR FOR EUROPE/OCEANIA
11	3YL-22253-00	.COLLAR, DISTANCE	2	
12	23X-22211-00	.COVER	2	
13	4DP-22253-00	.COLLAR, DISTANCE	2	
14	4DP-22211-00	.COVER	2	
15	4JT-22212-00	.SPRING	1	
16	22W-22214-01	.GUIDE, SPRING 1	1	
17	90101-10709	BOLT	1	
18	95617-10200	NUT, SELF-LOCKING	1	
19	3FV-22219-00	BRACKET, UPPER	1	
20	4DP-22239-00	ADJUSTER	1	
21	1RK-22251-00	NUT 1	1	
22	91317-10020	BOLT	1	
23	3AK-22252-00	NUT	1	
24	90480-14153	GROMMET	1	

FIG. 18 STEERING

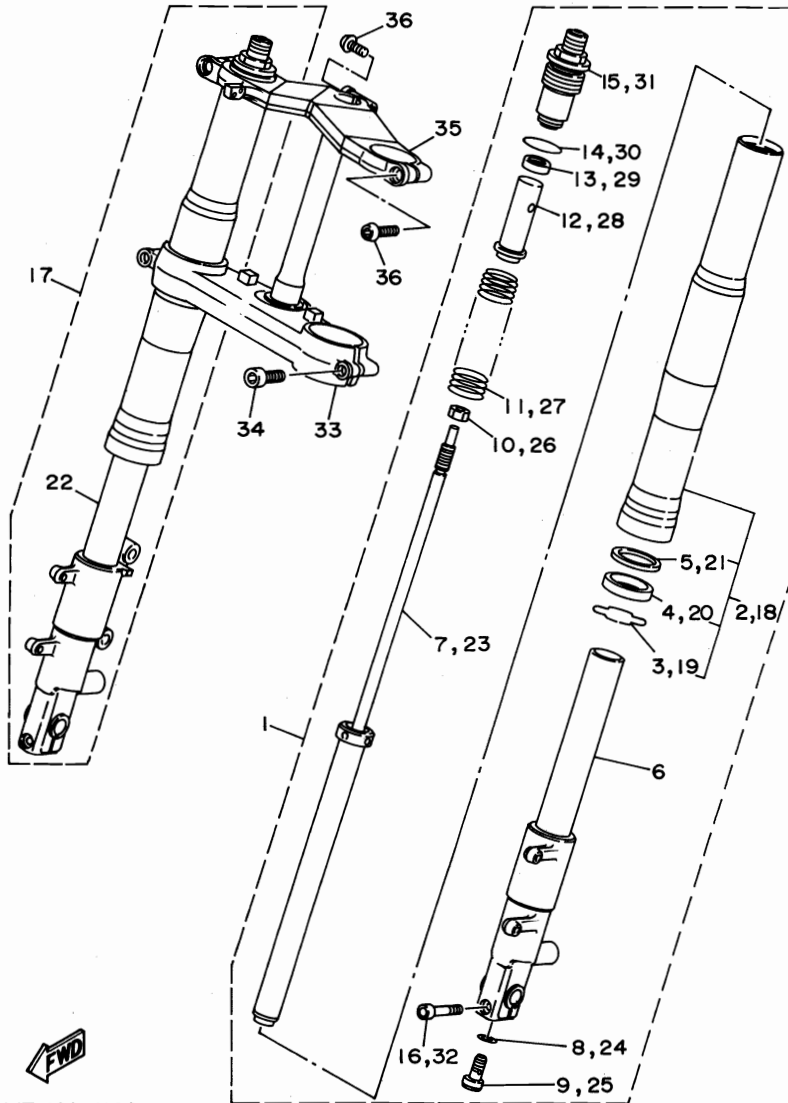
REF. NO.	PART NO.	DESCRIPTION	Q'TY	REMARKS
1	93332-00001	BEARING	1	
2	93332-00079	BEARING	1	
3	1J7-23415-00	COVER, BALL RACE 1	1	
4	90179-25615	NUT	1	
5	2KM-23451-00	BOLT, FITTING 1	1	
6	4JT-23490-00	HANDLEBAR SHIMMY DAMPER ASSY	1	
7	92017-08025	BOLT, BUTTON HEAD	1	
8	90201-08455	WASHER, PLATE	2	
9	90468-16099	CLIP	1	
10	4JT-23495-00	STAY, DAMPER	1	
11	91701-08038	PIN, CLEVIS	1	
12	91317-06025	BOLT	1	



4JT1100-4180

C10

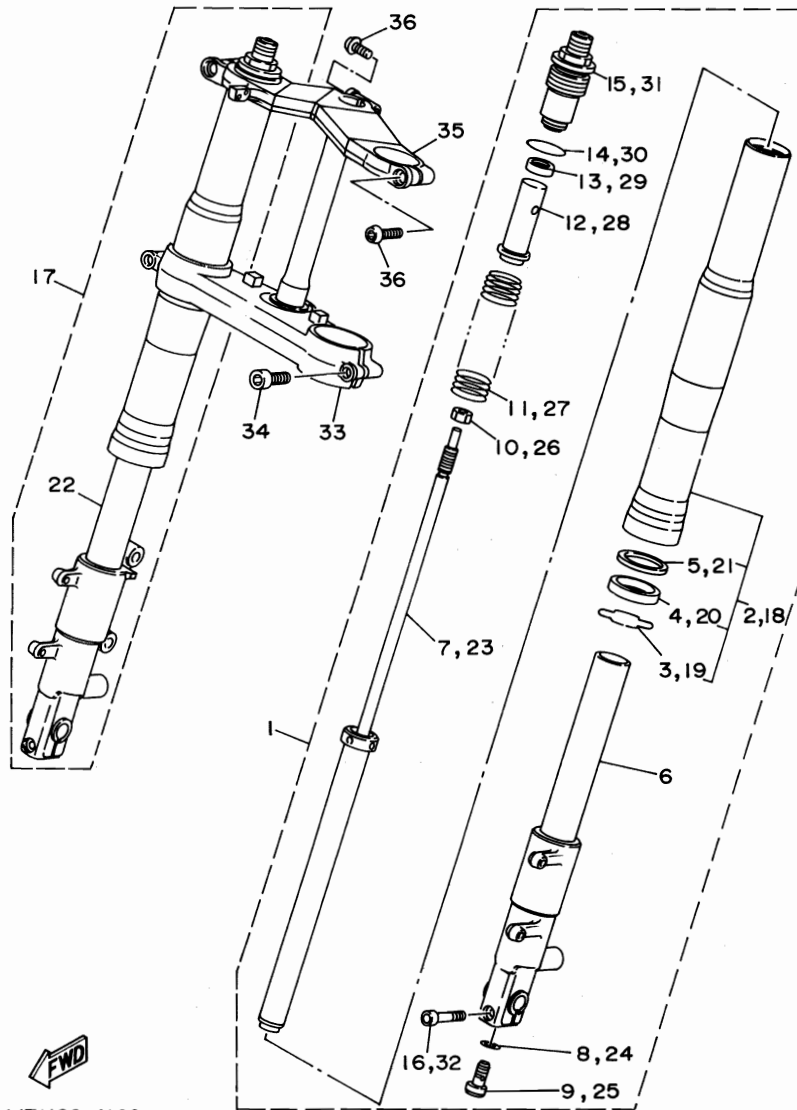
FIG. 19 FRONT FORK



4JT1100-4190

REF. NO.	PART NO.	DESCRIPTION	Q'TY	REMARKS
1	4JT-23102-10	FRONT FORK ASSY (L.H)	1	
2	4JT-23136-10	.TUBE, OUTER (RIGHT)	1	
3	4A1-23156-00	..CLIP, OIL SEAL	1	
4	4ES-23145-00	..OIL SEAL	1	
5	5K5-23149-00	..WASHER, SPRING UPPER	1	
6	4JT-23110-00	.INNER TUBE COMP. 1	1	
7	4JT-23170-00	.CYLINDER COMP., FRONT FORK	1	
8	2K8-23158-L0	.GASKET	1	
9	3LC-23181-00	.BOLT, HEXAGON SOCKET HEAD	1	
10	3XJ-23357-L0	.NUT	1	
11	4JT-23141-10	.SPRING, FRONT FORK	1	
12	4JT-23118-00	.SPACER	1	
13	3YL-2333K-00	.GUIDE	1	
14	4V4-23188-L0	.O-RING	1	
15	3TJ-23111-10	.BOLT, CAP	1	
16	1WG-23128-00	.BOLT, AXLE HOLDER	1	
17	4JT-23103-10	FRONT FORK ASSY (R.H)	1	
18	4JT-23136-10	.TUBE, OUTER (RIGHT)	1	
19	4A1-23156-00	..CLIP, OIL SEAL	1	
20	4ES-23145-00	..OIL SEAL	1	
21	5K5-23149-00	..WASHER, SPRING UPPER	1	
22	4JT-23120-00	.INNER TUBE COMP. 2	1	
23	4JT-23170-00	.CYLINDER COMP., FRONT FORK	1	
24	2K8-23158-L0	.GASKET	1	
25	3LC-23181-00	.BOLT, HEXAGON SOCKET HEAD	1	
26	3XJ-23357-L0	.NUT	1	
27	4JT-23141-10	.SPRING, FRONT FORK	1	
28	4JT-23118-00	.SPACER	1	

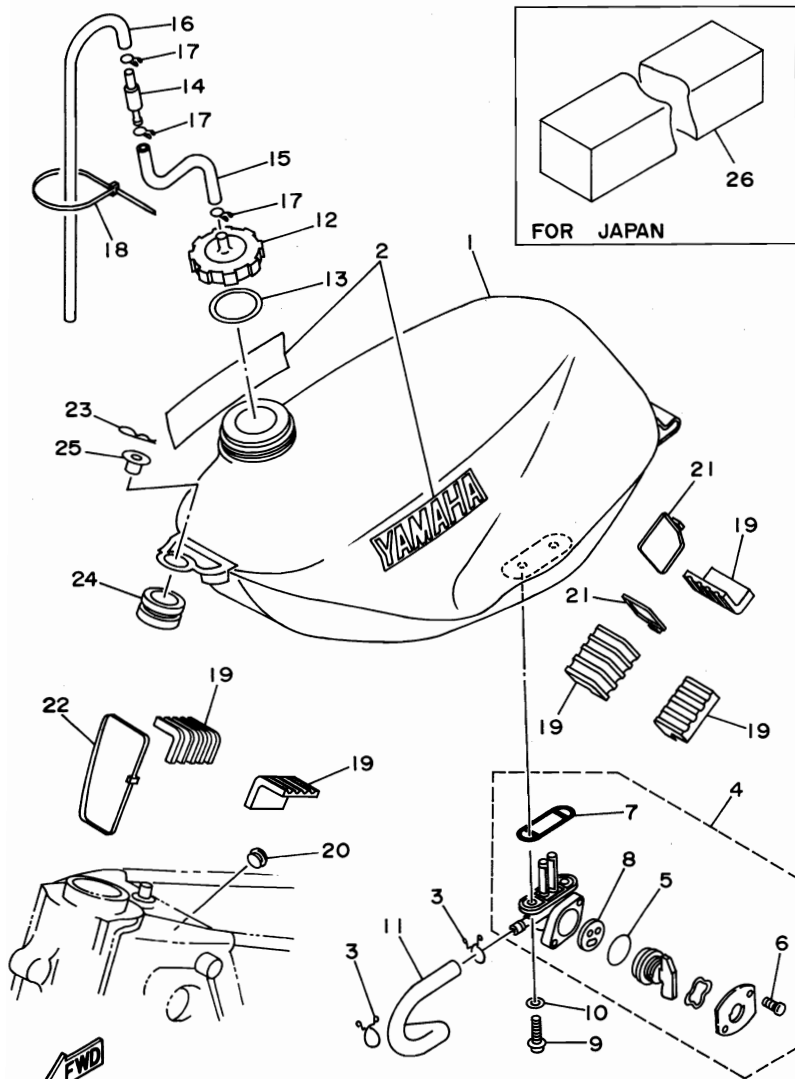
C11



4JT1100-4190

FIG. 19 FRONT FORK

REF. NO.	PART NO.	DESCRIPTION	Q'TY	REMARKS
29	3YL-2333K-00	.GUIDE	1	
30	4V4-23188-L0	.O-RING	1	
31	3TJ-23111-10	.BOLT, CAP	1	
32	1WG-23128-00	.BOLT, AXLE HOLDER	1	
33	4JT-23340-00	UNDER BRACKET COMP.	1	
34	91316-10030	BOLT	2	
35	4JT-23435-00	CROWN, HANDLE	1	
36	3TC-23471-00	BOLT	3	



4JT2100-5200

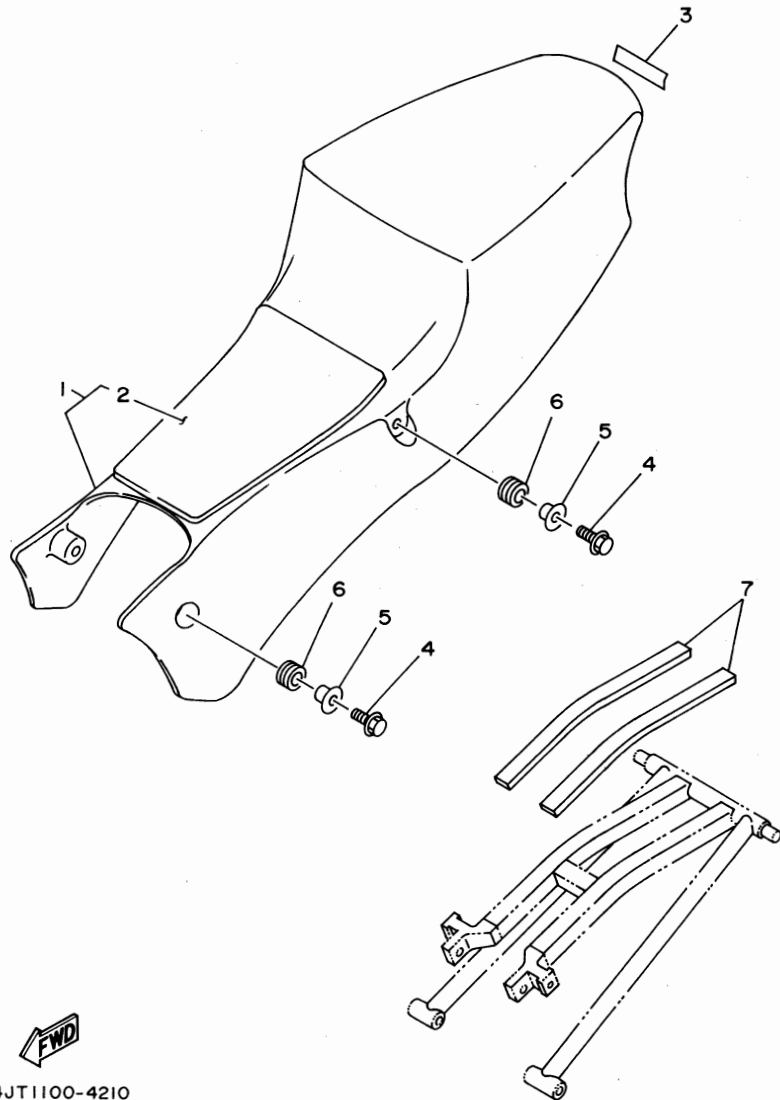
FIG. 20 FUEL TANK

REF. NO.	PART NO.	DESCRIPTION	Q'TY	REMARKS
1	4JT-24110-00-36	FUEL TANK COMP.	1	WHITE
2	99237-00140	EMBLEM, YAMAHA	2	AP
3	90467-10008	CLIP	2	
4	4JT-24500-00	FUEL COCK ASSY 1	1	
5	3AJ-24534-00	.SEAL, COCK	1	
6	98503-03008	.SCREW, PAN HEAD	2	
7	4X8-24512-00	.O-RING	1	
8	3AJ-24523-00	.VALVE	1	
9	90149-06008	SCREW	2	
10	90202-05187	WASHER, PLATE	2	
11	4JT-24311-00	PIPE, FUEL 1	1	
12	2A6-24611-00	BODY, CAP	1	
13	1W1-24612-00	GASKET, CAP	1	
14	3XJ-24380-00	PIPE JOINT ASSY	1	
15	91A20-05025	TUBE, FLEXIBLE VINYL	1	
16	4JT-24318-00	PIPE, OVERFLOW	1	
17	90467-09006	CLIP	3	
18	90464-13080	CLAMP	1	
19	1RK-24182-00	DAMPER, LOCATING 2	5	
20	583-21747-00	DAMPER	1	
21	90464-14117	CLAMP	3	
22	90464-14117	CLAMP	2	
23	4JT-2411M-00	CLIP	1	
24	90480-18495	GROMMET	1	
25	90387-083U8	COLLAR	1	
26	4JT-2411R-00	PLATE 1	1	AP FOR JAPAN



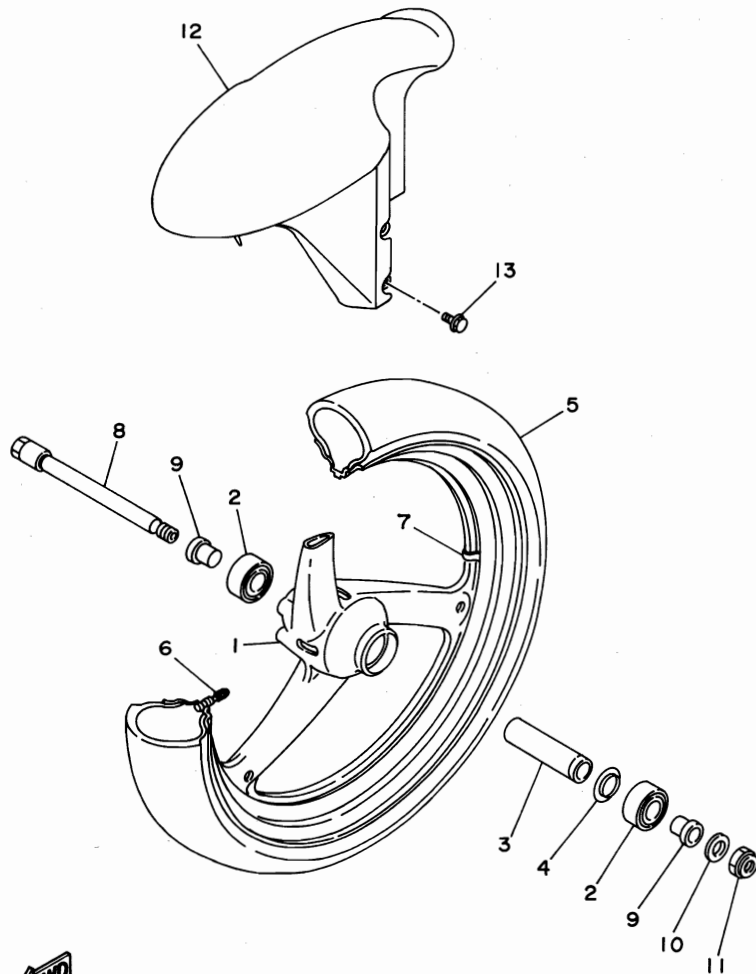
FIG. 21 SEAT

REF. NO.	PART NO.	DESCRIPTION	Q'TY	REMARKS
1	4JT-24710-10	SINGLE SEAT ASSY	1	
2	1RK-24763-00	.PAD, SEAT 2	1	
3	99237-00080	EMBLEM, YAMAHA	1 AP	
4	95027-06020	BOLT, FLANGE	4	
5	90387-062L2	COLLAR	4	
6	90480-13018	GROMMET	4	
7	4A0-83541-00	DAMPER	2	



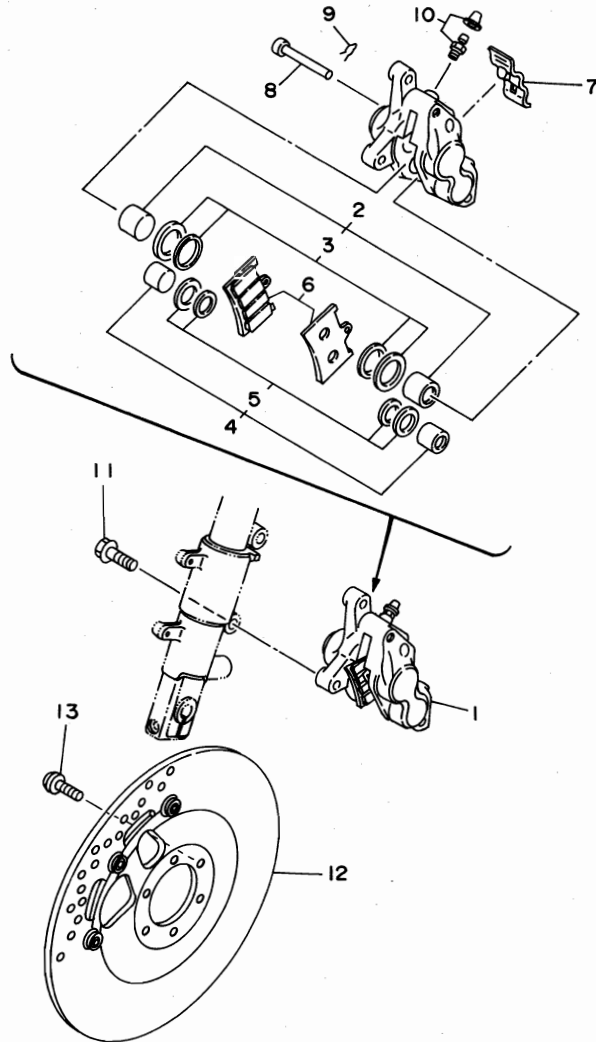
**FWD**  
4JT1100-4210

FIG. 22 FRONT WHEEL



REF. NO.	PART NO.	DESCRIPTION	Q'TY	REMARKS
1	4JT-25168-00-UA	CAST WHEEL, FRONT	1	CAST WHEEL WHITE
2	93306-00444	BEARING	2	
3	4JT-25117-00	SPACER, BEARING	1	
4	5Y9-25316-00	FLANGE, SPACER 2	1	
5	94126-1702P	TIRE (2.65/3.25-17 KR149)	1	DUNLOP
6	93900-00003	VALVE, RIM	1	DUNLOP
7	29L-25398-00	BALANCER, WHEEL (10G)	1	UN
	29L-25398-10	BALANCER, WHEEL (20G)	1	UN
	29L-25398-20	BALANCER, WHEEL (30G)	1	UN
8	4JT-25181-00	AXLE, WHEEL	1	
9	4JT-25183-00	COLLAR, WHEEL	2	
10	92990-14600	WASHER	1	
11	95617-14100	NUT, U	1	
12	4JT-21510-10	FRONT FENDER COMP.	1	
13	95027-06014	BOLT, FLANGE	4	

FIG. 23 FRONT BRAKE CALIPER



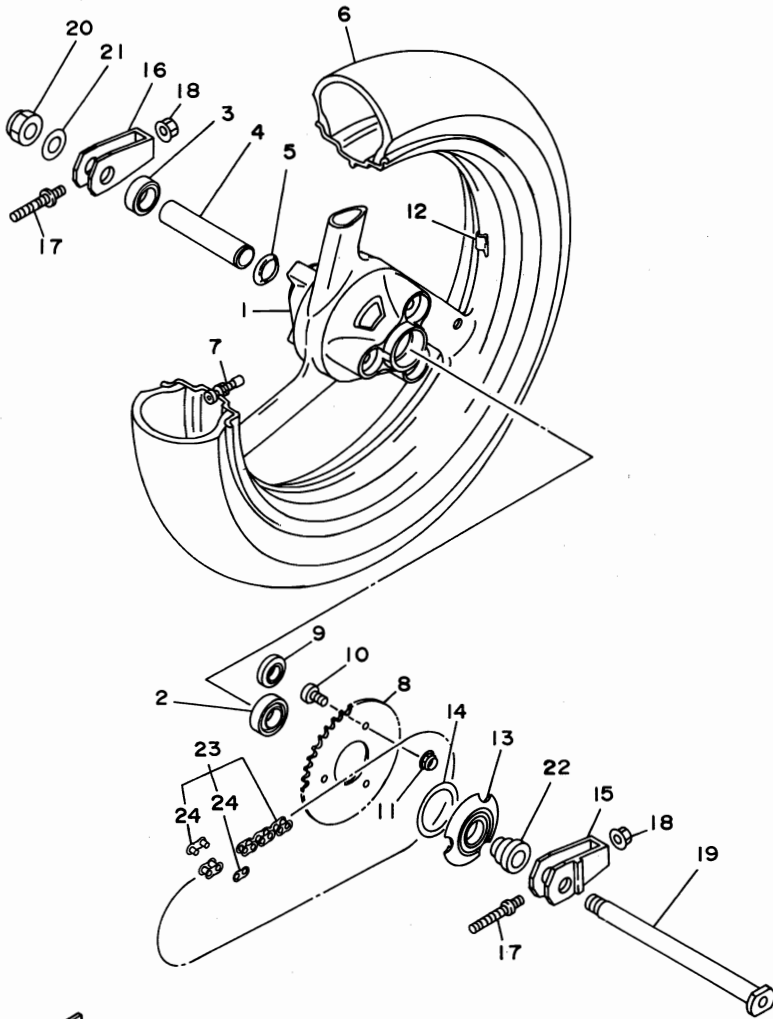
REF. NO.	PART NO.	DESCRIPTION	Q'TY	REMARKS
1	4FL-2580U-00	CALIPER ASSY (RIGHT)	1	
2	3GM-W0057-00	.PISTON ASSY, CALIPER	1	
3	3GM-W0047-00	..CALIPER SEAL KIT	1	
4	3MA-W0057-10	.PISTON ASSY, CALIPER	1	
5	3MA-W0047-10	..CALIPER SEAL KIT	1	
6	3MA-W0045-00	.BRAKE PAD KIT	1	
7	4FL-25919-00	.SUPPORT, PAD	1	
8	3MA-25924-00	.PIN, PAD	1	
9	3MA-25925-00	.CLIP	1	
10	1J3-W0048-00	.BREED SCREW KIT	1	
11	90105-10725	BOLT, WASHER BASED	2	
12	3XV-2581T-10	DISC BRAKE ASSY	1	
13	90109-08718	BOLT	6	



4JT2100-5230

**D2**

FIG. 24 REAR WHEEL



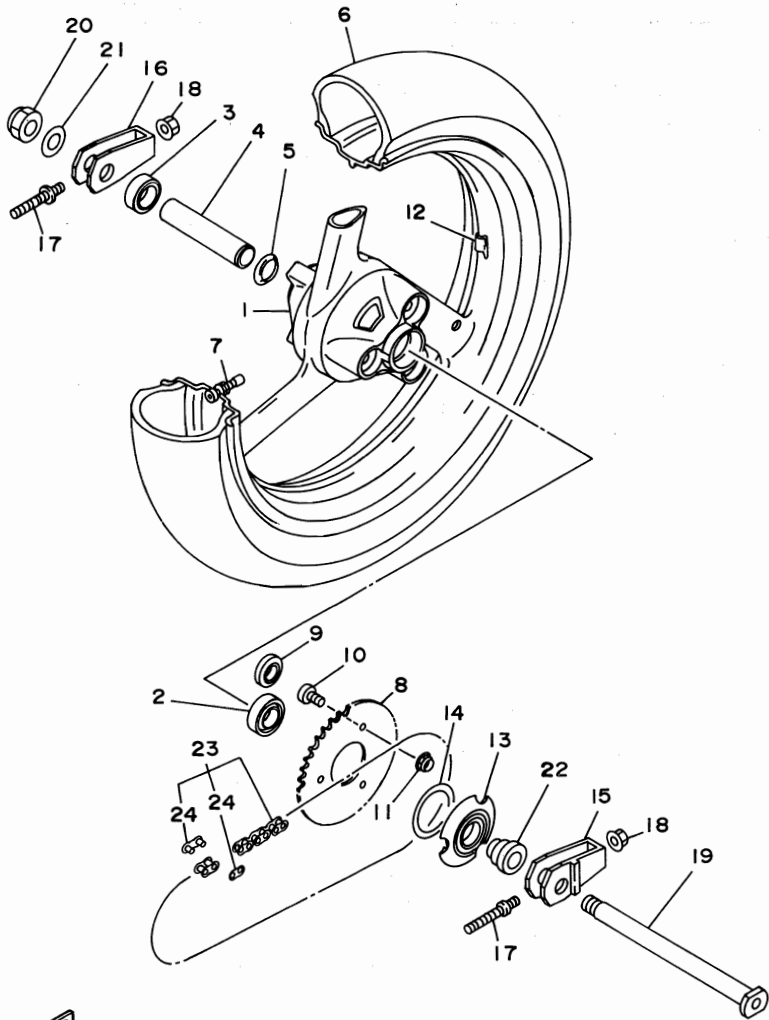
REF. NO.	PART NO.	DESCRIPTION	Q'TY	REMARKS
1	4JT-25338-00-UA	CAST WHEEL, REAR	1	CAST WHEEL WHITE
2	93306-07202	BEARING	1	
3	93306-00444	BEARING	1	
4	4JT-25317-00	SPACER, BEARING	1	
5	5Y9-25316-00	FLANGE, SPACER 2	1	
6	94111-1702N	TIRE (115/65R17 KR133)	1	DUNLOP
7	93900-00003	VALVE, RIM	1	DUNLOP
8	4JT-25436-00	SPROCKET, DRIVEN (36T)	1	STD
	4JT-25435-00	SPROCKET, DRIVEN (35T)	1	UR
	4JT-25437-00	SPROCKET, DRIVEN (37T)	1	UR
	4JT-25438-00	SPROCKET, DRIVEN (38T)	1	UR
	4JT-25439-00	SPROCKET, DRIVEN (39T)	1	UR
9	4JT-25364-00	DAMPER	3	
10	4JT-25411-00	BOLT	3	
11	90185-08097	NUT, SELF-LOCKING	3	
12	29L-25398-00	BALANCER, WHEEL (10G)	1	UN
	29L-25398-10	BALANCER, WHEEL (20G)	1	UN
	29L-25398-20	BALANCER, WHEEL (30G)	1	UN
13	4JT-25360-10	CLUTCH ASSY	1	
14	90201-537R1	WASHER, PLATE	1	
15	4DP-25388-00	PULLER, CHAIN 1	1	
16	4DP-25389-00	PULLER, CHAIN 2	1	
17	4DP-25379-00	BOLT, CHAIN PULLAR	2	
18	95607-08200	NUT, SELF-LOCKING	2	
19	4JT-25381-00	AXLE, WHEEL	1	
20	90185-18104	NUT, SELF-LOCKING	1	
21	90201-18262	WASHER, PLATE	1	
22	4JT-25376-00	COLLAR, WHEEL	1	

FWD  
4JT2100-5240

D3

FIG. 24 REAR WHEEL

REF. NO.	PART NO.	DESCRIPTION	Q'TY	REMARKS
23	94561-45120	CHAIN (RK415HR-120L)	1	STD=116L
24	94661-45031	.JOINT, CHAIN	1	

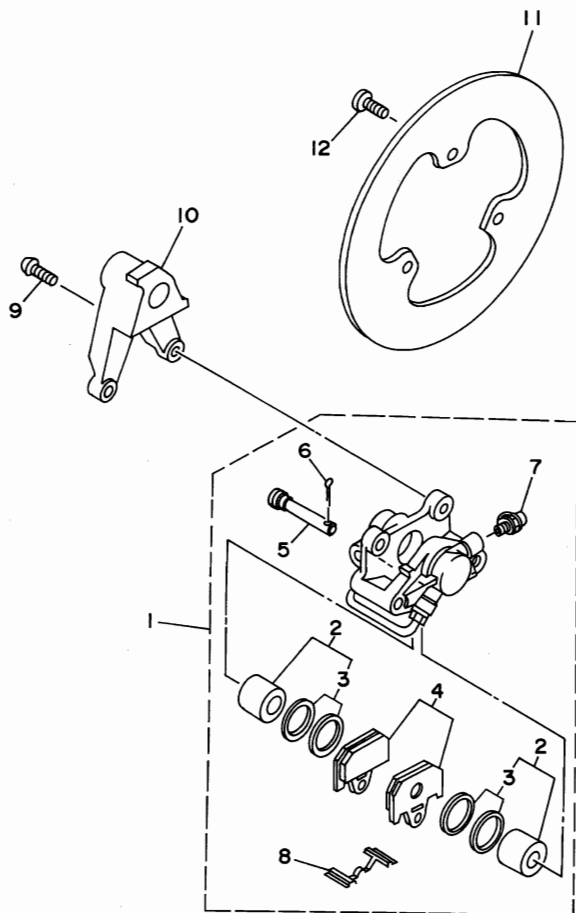


4JT2100-5240

**D4**

FIG. 25 REAR BRAKE CALIPER

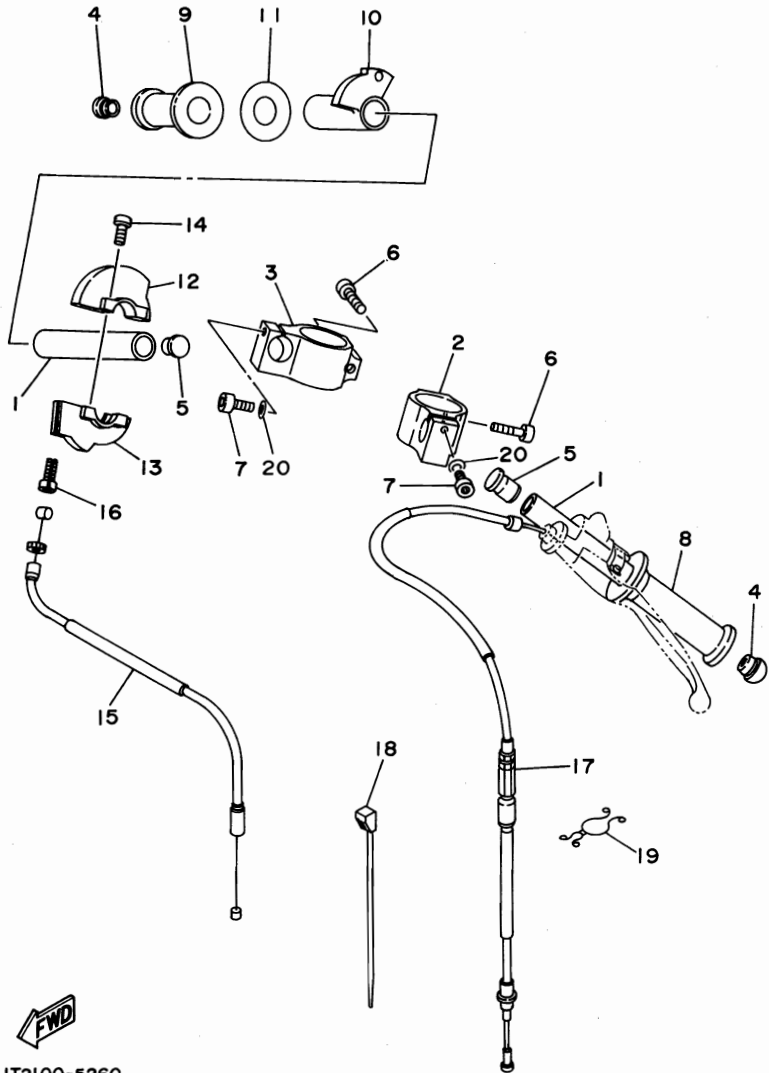
REF. NO.	PART NO.	DESCRIPTION	Q'TY	REMARKS
1	4JT-2580W-00	CALIPER ASSY, REAR 2	1	
2	4DP-W0057-00	.PISTON ASSY, CALIPER	1	
3	3LC-W0047-50	..CALIPER SEAL KIT	1	
4	4JT-W0046-00	.BRAKE PAD KIT 2	1	
5	4DP-25924-00	.PIN, PAD	1	
6	91490-16020	.PIN, COTTER	1	
7	36Y-W0048-00	.BREED SCREW KIT	1	
8	3LC-25919-50	.SUPPORT, PAD	1	
9	92017-08020	BOLT, BUTTON HEAD	2	
10	4JT-25819-00	BRACKET, CALIPER	1	
11	4DP-2582W-00	DISC, REAR BRAKE 2	1	
12	90149-08152	SCREW	3	



4JT2100-5250

D5

FIG. 26 STEERING HANDLE. CABLE



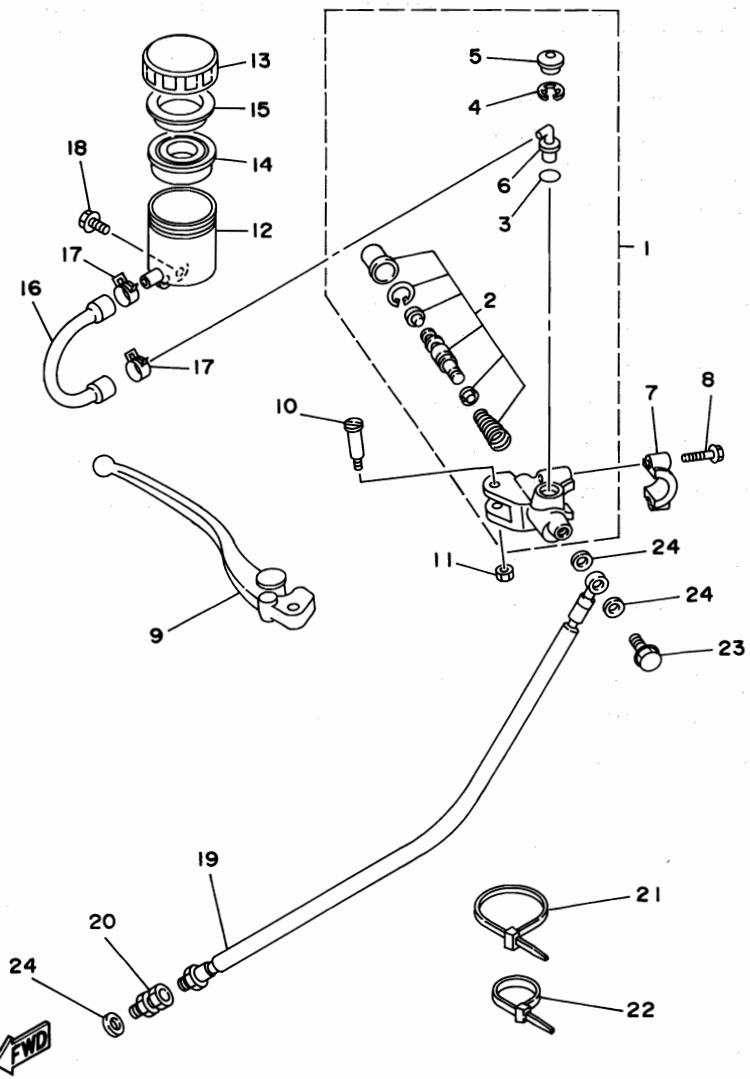
REF. NO.	PART NO.	DESCRIPTION	Q'TY	REMARKS
1	4JT-26112-00	BAR, HANDLE	2	
2	4JT-26223-00	BRACKET, HANDLE 1	1	
3	4JT-26224-00	BRACKET, HANDLE 2	1	
4	3YL-26246-00	END, GRIP	2	
5	90338-16148	PLUG	2	
6	91317-08030	BOLT	2	
7	91317-06030	BOLT	2	
8	47X-26241-00	GRIP (LEFT)	1	
9	47X-26242-00	GRIP (RIGHT)	1	
10	3YL-26243-00	TUBE, THROTTLE GUIDE	1	
11	3Y1-26249-00	RING, LEAF	1	
12	3YL-26281-00	CAP, GRIP UPPER	1	
13	3YL-26282-00	CAP, GRIP LOWER	1	
14	91317-05020	BOLT	2	
15	3YL-26311-01	CABLE, THROTTLE 1	1	
16	90123-06007	BOLT	1	
17	4JT-26335-00	CABLE, CLUTCH	1	
18	90464-14117	CLAMP	1	
19	90464-26114	CLAMP	1	
20	92907-06200	WASHER	2	

**FWD**  
4JT2100-5260

**D6**

FIG. 27 FRONT MASTER CYLINDER

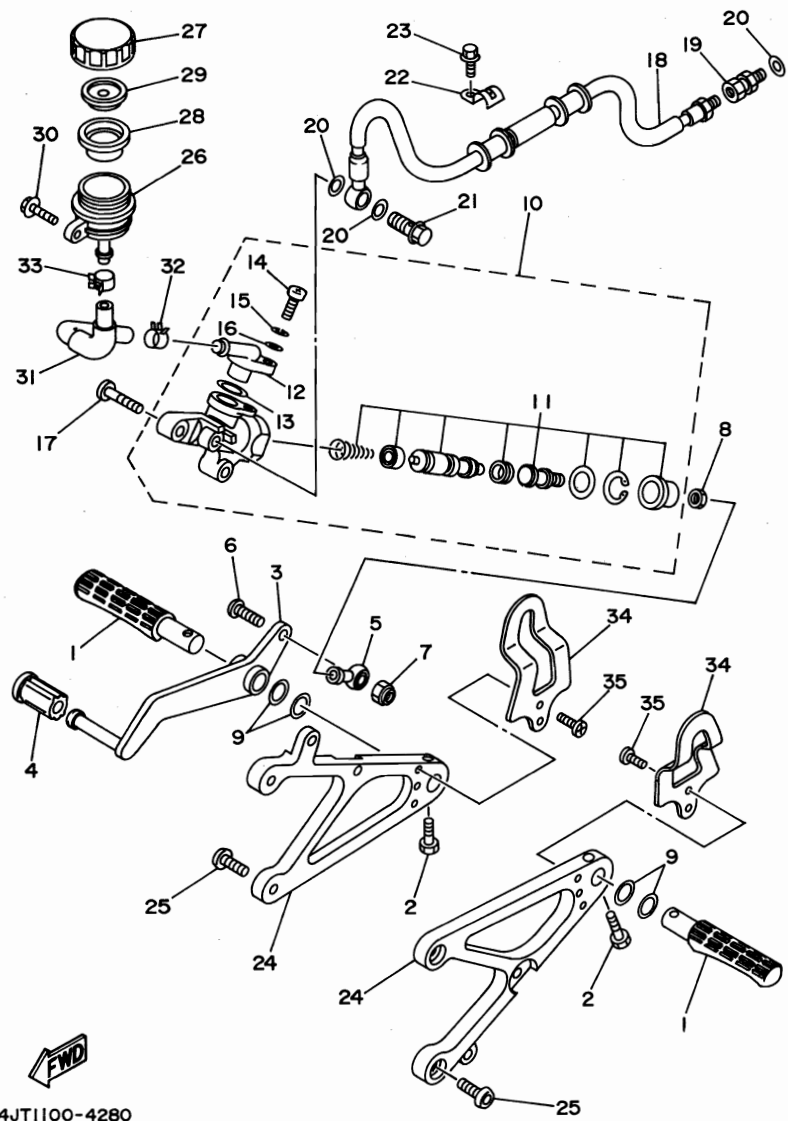
REF. NO.	PART NO.	DESCRIPTION	Q'TY	REMARKS
1	4JT-W2587-00	MASTER CYLINDER SUB ASSY	1	
2	23L-W0041-00	.CYLINDER KIT, MASTER	1	
3	93210-15620	.O-RING	1	
4	2VN-25866-00	.CIRCLIP	1	
5	3FV-2589A-00	.COVER, DUST	1	
6	2VN-2582A-50	.JOINT	1	
7	56A-25867-00	BRACKET, MASTER CYLINDER	1	
8	95027-06025	BOLT, FLANGE	2	
9	3TJ-83922-01	LEVER 2	1	
10	3FV-2589F-00	BOLT, LEVER	1	
11	95617-06100	NUT, U	1	
12	3FV-25894-00	TANK, RESERVOIR	1	
13	3GM-25852-50	CAP, RESERVOIR	1	
14	3FV-25854-00	DIAPHRAGM, RESERVOIR	1	
15	2J2-25855-50	BUSH, DIAPHRAGM	1	
16	3YL-2582F-00	HOSE	1	
17	3PA-24356-00	CLIP, PIPE 1	2	
18	95027-06014	BOLT, FLANGE	1	
19	4JT-25872-01	HOSE, BRAKE 1	1	
20	3LC-25885-00	JOINT	1	
21	90464-14117	CLAMP	1	
22	90464-13080	CLAMP	1	
23	90401-10159	BOLT, UNION	1	
24	90201-10118	WASHER, PLATE	3	



4JT1100-4270

**D7**





4JT1100-4280

FIG. 28 STAND. FOOTREST

REF. NO.	PART NO.	DESCRIPTION	Q'TY	REMARKS
1	4JT-27411-00	FOOTREST 1	2	
2	1RK-27434-00	BOLT	2	
3	4JT-27211-00	PEDAL, BRAKE	1	
4	240-18113-00	COVER, SHIFT PEDAL	1	
5	3YL-27222-00	JOINT	1	
6	92017-06020	BOLT, BUTTON HEAD	1	
7	95607-06100	NUT, U	1	
8	95317-06600	NUT	1	
9	90201-14212	WASHER, PLATE	4	
10	3YL-2583V-00	RR. MASTER CYLINDER ASSY	1	
11	3YL-W0042-50	.CYLINDER KIT, MASTER	1	
12	36Y-2582A-50	.JOINT	1	
13	93210-15620	.O-RING	1	
14	98517-04012	.SCREW, PAN HEAD	1	
15	92990-04100	.WASHER, SPRING	1	
16	92901-04600	.WASHER, PLATE	1	
17	92017-08025	BOLT, BUTTON HEAD	2	
18	4JT-25874-01	HOSE, BRAKE	1	
19	3LC-25885-00	JOINT	1	
20	90201-10118	WASHER, PLATE	3	
21	90401-10159	BOLT, UNION	1	
22	3XV-25876-00	HOLDER, BRAKE HOSE 2	2	
23	95027-06016	BOLT, FLANGE	2	
24	4JT-27412-00	BRACKET, FOOTREST 1	2	
25	92017-08020	BOLT, BUTTON HEAD	4	
26	2VN-25894-00	TANK, RESERVOIR	1	
27	3XP-25852-50	CAP, RESERVOIR	1	
28	2VN-25854-00	DIAPHRAGM, RESERVOIR	1	

D8

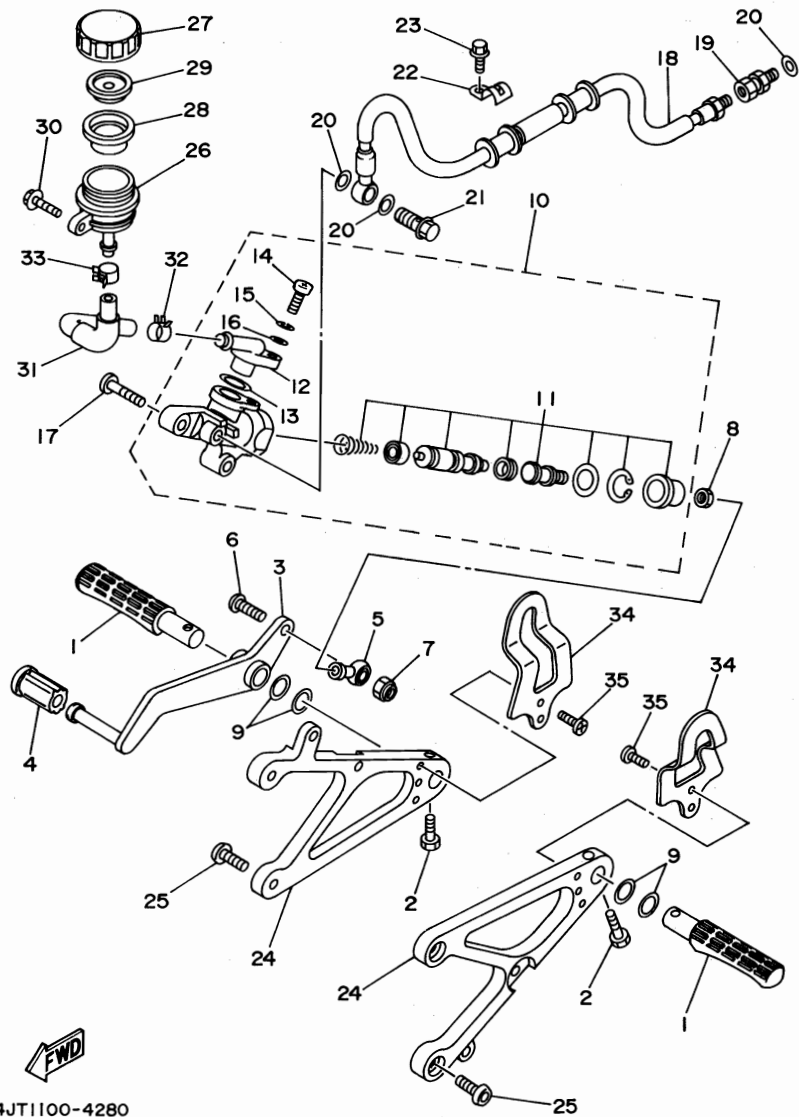


FIG. 28 STAND. FOOTREST

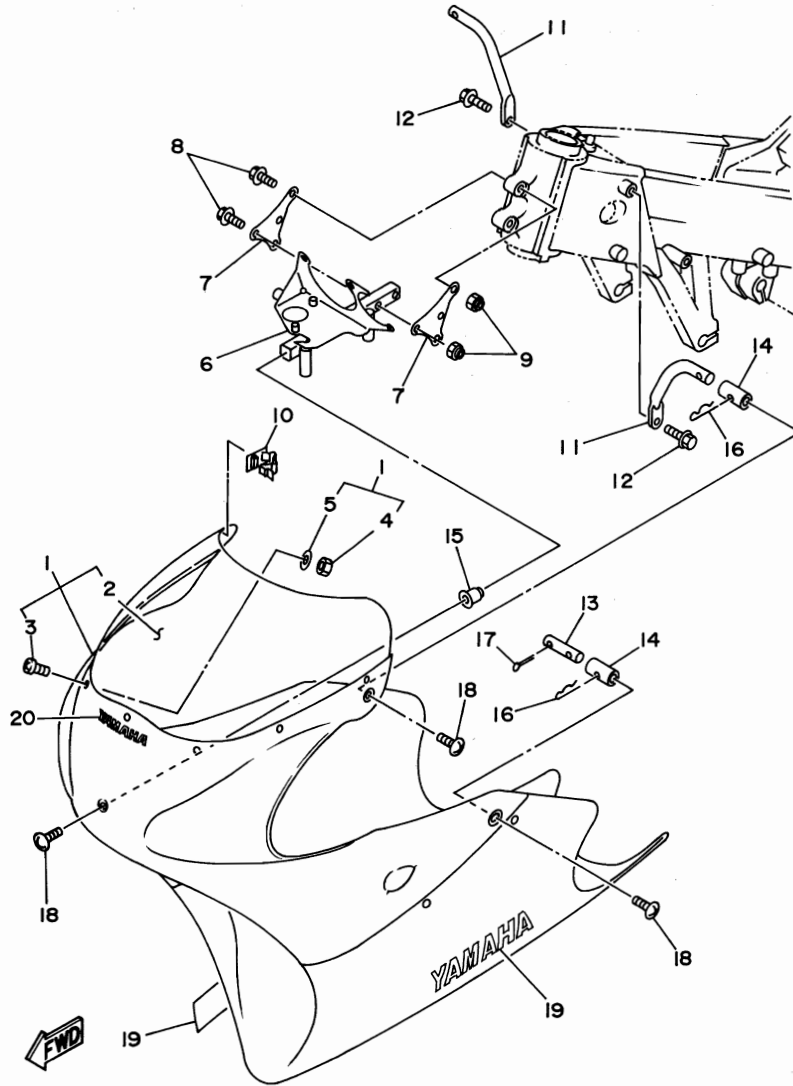
REF. NO.	PART NO.	DESCRIPTION	Q'TY	REMARKS
29	2VN-25855-00	BUSH, DIAPHRAGM	1	
30	95807-06016	BOLT, FLANGE	1	
31	4JT-25895-00	HOSE, RESERVOIR	1	
32	90467-14057	CLIP	1	
33	90467-11044	CLIP	1	
34	4JT-27445-00	PLATE 1	2	
35	90154-05064	SCREW, BINDING	4	



4JT1100-4280

D9

FIG. 29 COWLING 1

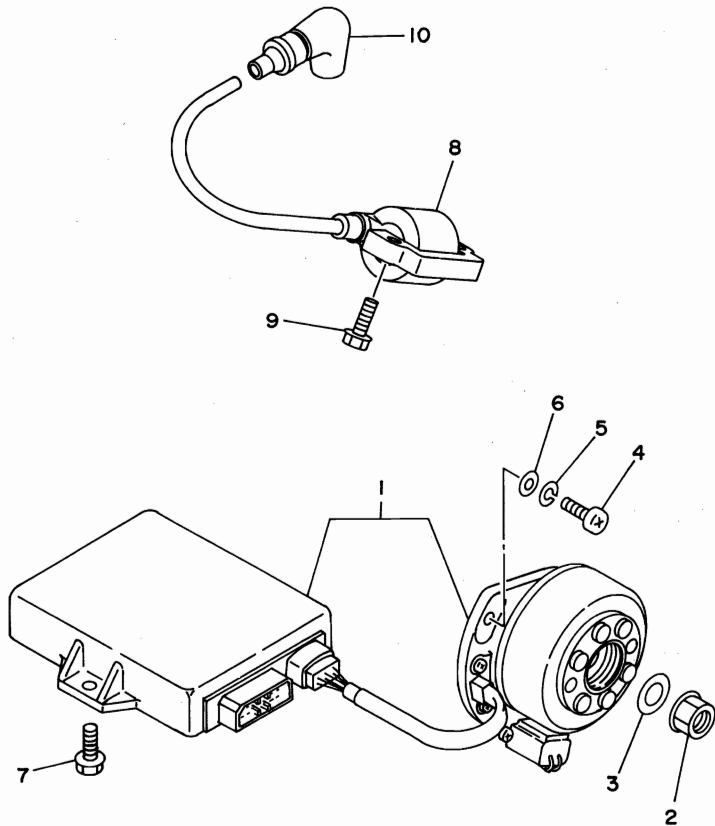


4JT2100-5290

REF. NO.	PART NO.	DESCRIPTION	Q'TY	REMARKS
1	4JT-28350-10	COWLING ASSY	1	
2	4JT-28381-10	.WINDSHIELD	1	
3	98907-04010	.SCREW, BIND	7	
4	95607-04100	.NUT, U	7	
5	92907-04200	.WASHER, PLAIN	7	
6	4JT-28356-00	STAY 1	1	
7	4JT-2836A-00	BRACKET 1	2	
8	95027-06030	BOLT, FLANGE	4	
9	95617-06100	NUT, U	4	
10	90464-25160	CLAMP	1	
11	4JT-28321-00	STAY 1	2	
12	95027-06014	BOLT, FLANGE	2	
13	3YL-28358-00	STAY 3	2	
14	4A0-28364-00	NUT	4	
15	4DP-28362-01	NUT	1	
16	4DP-28334-00	CLIP, COWLING	4	
17	91401-25030	PIN, COTTER	2	
18	90150-06021	SCREW, ROUND HEAD	5	
19	99237-00280	EMBLEM, YAMAHA	2	AP
20	99237-00100	EMBLEM, YAMAHA	1	AP

FIG. 30 GENERATOR

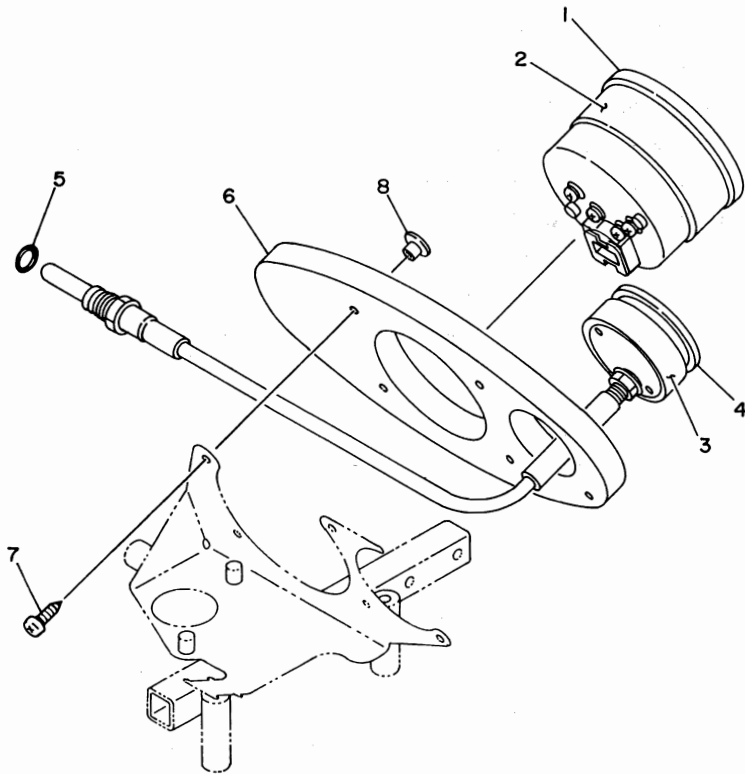
REF. NO.	PART NO.	DESCRIPTION	Q'TY	REMARKS
1	4JT-85501-10	C.D.I. MAGNETO SET	1	
2	90179-12248	NUT	1	
3	90201-127E1	WASHER, PLATE	1	
4	98517-06020	SCREW, PAN HEAD	2	
5	92907-06100	WASHER, SPRING	2	
6	92907-06600	WASHER, PLATE	2	
7	95027-06020	BOLT, FLANGE	2	
8	4DP-82310-00	IGNITION COIL ASSY	1	
9	95027-06020	BOLT, FLANGE	2	
10	81E-82370-20	PLUG CAP ASSY	1	



4JT1100-4300

**D11**

FIG. 31 METER



REF. NO.	PART NO.	DESCRIPTION	Q'TY	REMARKS
1	3YL-83540-00	TACHOMETER ASSY	1	
2	4A0-83541-00	DAMPER	1	
3	3YF-24724-01	DAMPER, SEAT	1	
4	4JT-83590-01	WATER TEMPERATURE ASSY	1	
5	93210-10118	O-RING	1	
6	3LC-83611-00	PANEL, METER	1	
7	97780-40110	SCREW, TAPPING	5	
8	4A0-83522-00	COLLAR	5	

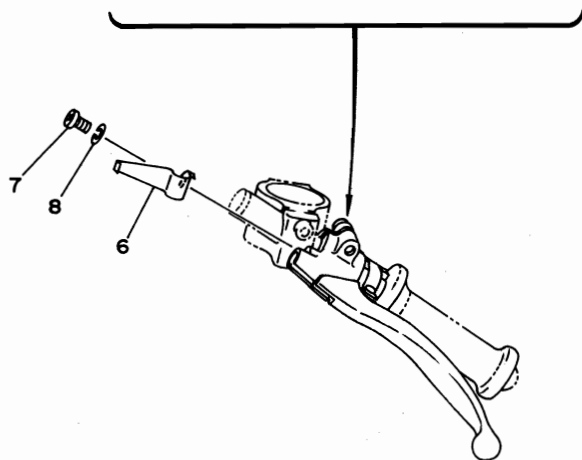
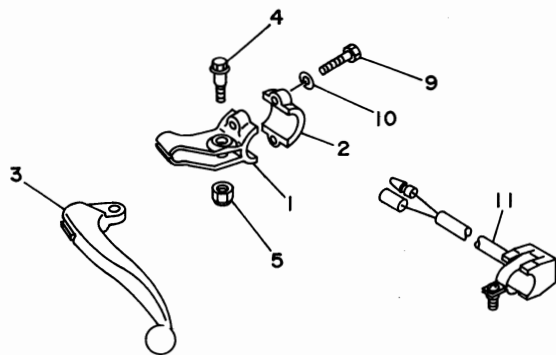


4JT2100-5310

**D12**

FIG. 32 HANDLE SWITCH. LEVER

REF. NO.	PART NO.	DESCRIPTION	Q'TY	REMARKS
1	5F6-82911-00	HOLDER, LEVER 1	1	
2	4V4-82913-00	HOLDER, LEVER LOWER 1	1	
3	214-83912-00	LEVER 1	1	
4	90109-06799	BOLT	1	
5	95607-06100	NUT, U	1	
6	5F6-26368-00	SPRING, LOCK	1	
7	98507-05008	SCREW, PAN HEAD	1	
8	92907-05100	WASHER, SPRING	1	
9	97007-05020	BOLT	2	
10	92907-05100	WASHER, SPRING	2	
11	3LC-83976-00	SWITCH, HANDLE 1	1	



4JT1100-4320

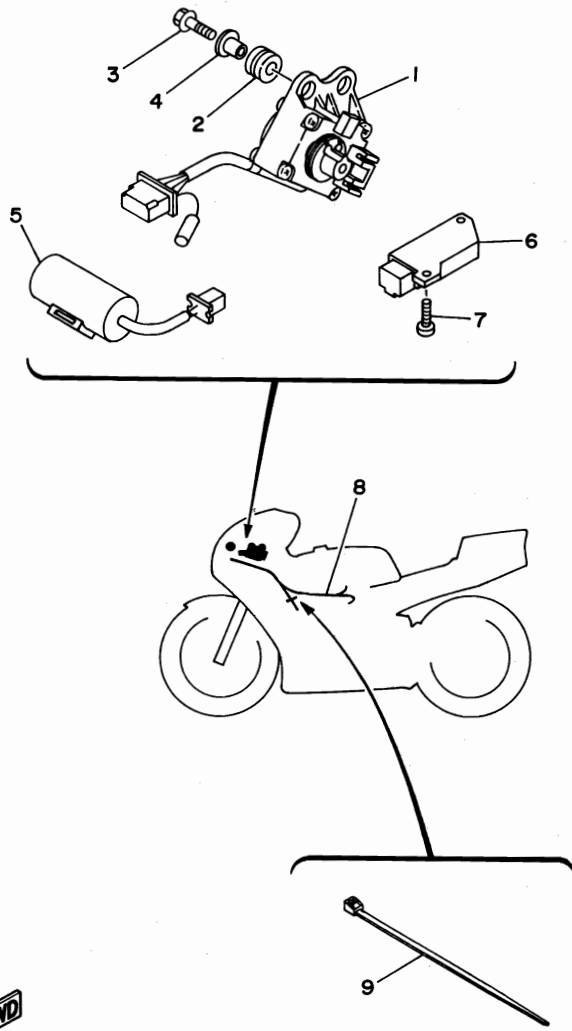


FIG. 33 ELECTRICAL 1

REF. NO.	PART NO.	DESCRIPTION	Q'TY	REMARKS
1	4JT-85820-00	SERVO MOTOR ASSY	1	
2	90480-14023	GROMMET	2	
3	95027-06025	BOLT, FLANGE	2	
4	90387-06388	COLLAR	2	
5	3TC-81965-00	CONDENSER, SMOOTHING	1	
6	1JK-81960-A1	RECTIFIER & REGULATOR ASSY	1	
7	98517-06020	SCREW, PAN HEAD	2	
8	4JT-82590-00	WIRE HARNESS ASSY	1	
9	90464-14117	CLAMP	4	

  
4JT1100-4330

**D14**

# 部品番号索引表(中5 桁順)

PART NO.	GRID NO.	PART NO.	GRID NO.	PART NO.	GRID NO.	PART NO.	GRID NO.	PART NO.	GRID NO.	PART NO.	GRID NO.
23L-W0041-00	D- 7	4JT-13161-00	B- 8	137-14143-96	B-11	257-16324-00	B-15	4JT-18511-00	C- 5	3AK-22493-00	C- 9
3YL-W0042-50	D- 8	4JT-13300-00	B- 8	137-14143-98	B-11	4JT-16331-00	B-15	4JT-18512-00	C- 5	4JT-23102-10	C-11
3MA-W0045-00	D- 2	4JT-13325-00	B- 8	214-14147-00	B-11	37F-16351-00	B-15	4JT-18513-01	C- 5	4JT-23103-10	C-11
4JT-W0046-00	D- 5	22F-13329-01	B- 8	3JD-14147-00	B-10	4JT-16356-00	B-15	4JT-18531-00	C- 5	4JT-23110-00	C-11
3GM-W0047-00	D- 2	3XV-13411-00	B- 8	3UE-14147-00	B- 8	5H0-16357-00	B-15	4JT-18535-00	C- 5	3TJ-23111-10	C-11
3LC-W0047-50	D- 5	3XV-13421-00	B- 8	3LC-14147-00	B-12	1W1-16358-01	B-15	4JT-18540-10	C- 5		C-12
3MA-W0047-10	D- 2	4JT-13555-00	B- 9	4JT-14157-00	B-12	4JT-16371-00	B-15	4JT-18562-00	C- 5	4JT-23118-00	C-11
1J3-W0048-00	D- 2	4JT-13610-00	B- 9	3LC-1416A-00	B-12	4JT-16380-00	B-15	4JT-21110-10	C- 7		C-11
36Y-W0048-00	D- 5	3XV-13613-01	B- 9	3JE-14171-00	B-12	4JT-16384-00	C- 2	4JT-21117-00	C- 7	4JT-23120-00	C-11
3GM-W0057-00	D- 2	4JT-13614-00	B- 9	3JD-14185-00	B-10	4JT-17121-00	C- 3	4JT-21118-00	C- 7	1WG-23128-00	C-11
3MA-W0057-10	D- 2	4JT-13616-00	B- 9	3JE-14185-00	B-10	4JT-17121-10	C- 3	4JT-2117A-00	C- 7		C-12
4DP-W0057-00	D- 5	4JT-13621-00	B- 9	353-14186-00	B-10	4JT-17121-20	C- 3	4JT-2117G-00	C- 7	4JT-23136-10	C-11
4JT-W2587-00	D- 7	3LC-1410H-00	B-12	363-14187-00	B-10	4JT-17131-00	C- 3	4JT-21190-00	C- 7		C-11
4JT-11111-00	B- 2	4JT-14101-10	B-10	3JD-14194-00	B-10	4JT-17131-10	C- 3	4A0-21485-00	B-13	4JT-23141-10	C-11
3YL-1131A-00	B- 2	3JD-14104-00	B-12	310-14196-00	B-10	4JT-17131-20	C- 3	4JT-21495-00	C- 7		C-11
1RK-1131E-00	B- 2	4DP-14107-35	B-10	3G2-14231-11	B-12	4JT-17151-00	C- 3	4JT-21510-10	C-15	4ES-23145-00	C-11
3LC-1131V-00	B- 2	3JD-14112-35	B-11	3G2-14231-12	B-11	4JT-17151-10	C- 3	4JT-21629-10	C- 7		C-11
4JT-11310-01	B- 2	4DP-14115-00	B-10	3G2-14231-13	B-12	4JT-17151-20	C- 3	4JT-21642-00	C- 7	5K5-23149-00	C-11
4DP-1132E-00	B- 2	275-14116-F0	B-10	8J0-14251-00	B-11	4JT-17161-00	C- 3	583-21747-00	C-13		C-11
4JT-1133E-00	B- 2	214-14118-00	B-10	4DP-14261-00	B-12	4JT-17161-10	C- 3	3YL-21751-00	C- 7	4A1-23156-00	C-11
4JT-1133F-00	B- 2	3JD-14131-00	B-10	4JT-14283-00	B-12	4JT-17161-20	C- 3	4JT-22110-01	C- 8		C-11
4JT-11351-00	B- 2	8A7-14139-00	B-11	4JT-14349-00	B-12	4JT-17211-00	C- 3	156-22127-00	C- 8	2K8-23158-L0	C-11
4JT-11351-10	B- 3	137-1414K-00	B-11	3JE-14561-00	B-10	4JT-17211-10	C- 3	4EW-22129-00	C- 8		C-11
4JT-11351-20	B- 3	137-1414K-04	B-11	4JT-14610-20	B-13	4JT-17221-00	C- 4	1LX-22141-00	C- 8	4JT-23170-00	C-11
4JT-11400-01	B- 4	137-1414K-08	B-10	4JT-14610-30	B-13	4JT-17221-10	C- 4	3YL-22151-00	C- 7		C-11
4JT-11412-01	B- 4	137-1414K-12	B-10	4DP-1469A-00	B-13	4JT-17221-20	C- 4	4JT-22151-00	C- 8	3LC-23181-00	C-11
4JT-11422-01	B- 4	3TC-14141-R3	B-11	4JT-14753-00	B-13	4JT-17231-00	C- 3	4JT-2217A-00	C- 8		C-11
4JT-11454-00	B- 5	3TC-14141-R4	B-11	4DP-14755-00	B-13	4JT-17231-10	C- 3	4JT-2217F-00	C- 8	4V4-23188-L0	C-11
4JT-11455-00	B- 5	3TC-14141-R5	B-11	256-14919-00	B-10	4JT-17231-20	C- 3	4JT-22184-00	C- 8		C-12
4JT-11531-00	B- 5	3TC-14141-R7	B-11	3V3-14987-00	B-10	4JT-17241-00	C- 4	4JT-22210-50	C- 9	3YL-2333K-00	C-11
4JT-11536-00	B- 4	193-14142-15	B-10	4JT-15100-01	B-14	4JT-17241-10	C- 4	23X-22211-00	C- 9		C-12
1RK-11611-01	B- 4	193-14142-17	B-10	3R3-15128-01	B-14	4JT-17241-20	C- 4	4DP-22211-00	C- 9	4JT-23340-00	C-12
4DP-11631-01-A0	B- 4	193-14142-20	B-10	4JT-15131-00	B-14	4JT-17251-00	C- 3	4JT-22212-00	C- 9	3XJ-23357-L0	C-11
4DP-11631-01-B0	B- 4	137-14143-66	B-11	4A0-15363-00	B-14	4JT-17251-10	C- 3	22W-22214-01	C- 9		C-11
4DP-11631-01-C0	B- 4	137-14143-68	B-11	4JT-15381-01	C- 4	4JT-17251-20	C- 3	1RK-22215-00	C- 9	1J7-23415-00	C-10
4DP-11631-01-D0	B- 4	137-14143-70	B-11	2K7-15383-00	B- 5	4JT-17261-00	C- 4	3FV-22219-00	C- 9	4JT-23435-00	C-12
137-11633-10	B- 4	137-14143-72	B-11	4JT-15383-00	C- 3	4JT-17261-10	C- 4	4DP-22219-00	C- 9	2KM-23451-00	C-10
4JT-11651-00	B- 4	137-14143-74	B-11	4JT-15411-00	B-14	4JT-17411-00	C- 3	1KH-22223-00	C- 9	3TC-23471-00	C-12
4JT-11681-00	B- 4	137-14143-76	B-11	4JT-15421-01	B-14	4JT-17421-00	C- 3	4DP-22239-00	C- 9	4JT-23490-00	C-10
3XV-11998-00	B- 2	137-14143-78	B-11	4JT-15451-00	B-14	4JT-18101-00	C- 5	1RK-22251-00	C- 9	4JT-23495-00	C-10
4JT-12422-00	B- 6	137-14143-80	B-11	4JT-15461-00	B-14	4JT-18110-00	C- 6	3AK-22252-00	C- 9	4JT-2411M-00	C-13
4JT-12428-00	B- 6	137-14143-82	B-11	4JT-16111-01	B- 4	4JT-18112-00	C- 6	3YL-22253-00	C- 9	4JT-2411R-00	C-13
4JT-12450-00	B- 6	137-14143-84	B-11	4JT-16151-01	B-15	240-18113-00	C- 6	4DP-22253-00	C- 9	4JT-24110-00-36	C-13
4JT-12461-00	B- 7	137-14143-86	B-11	4JT-16154-00	B-15		D- 8	4AA-22259-00	C- 9	1RK-24182-00	C-13
22W-12462-00	B- 7	137-14143-88	B-11	4JT-16181-00	B-15	4JT-18115-00	C- 6	4AA-22259-10	C- 9	4JT-24311-00	C-13
4JT-12482-00	B- 7	137-14143-90	B-11	4JT-16184-00	B-15	3TC-18117-00	C- 6	4AA-22259-20	C- 9	4JT-24318-00	C-13
4JT-12483-00	B- 7	137-14143-92	B-11	4JT-16310-00	B-15	3TC-18117-00	C- 6	4AA-22259-40	C- 9	3PA-24356-00	D- 7
4JT-12484-00	B- 7	137-14143-94	B-11	4JT-16321-00	B-15	4JT-18140-10	C- 5	4JT-22489-00	C- 9	3XJ-24380-00	C-13



PART NO.	GRID NO.	PART NO.	GRID NO.	PART NO.	GRID NO.	PART NO.	GRID NO.	PART NO.	GRID NO.	PART NO.	GRID NO.
4JT-24500-00	C-13	3FV-25854-00	D- 7	1JK-81960-A1	D-14	90155-06007	B- 8	90387-06388	B- 7	91A20-05025	C-13
4X8-24512-00	C-13	2J2-25855-50	D- 7	3TC-81965-00	D-14	90170-06228	C- 6		D-14	91316-10030	C-12
3AJ-24523-00	C-13	2VN-25855-00	D- 9	4DP-82310-00	D-11	90170-14171	B- 5	90387-0803Y	B-13	91317-04010	B-10
3AJ-24534-00	C-13	2VN-25866-00	D- 7	5HO-8235Y-M0	B- 7		B-15	90387-08308	C-13	91317-05010	B- 2
2A6-24611-00	C-13	56A-25867-00	D- 7	81E-82370-20	D-11	90179-10594	C- 7	90387-124Y8	C- 8	91317-05020	D- 6
1W1-24612-00	C-13	4JT-25872-01	D- 7	4JT-82590-00	D-14	90179-12248	D-11	90387-204Y5	C- 4	91317-06010	C- 2
4JT-24710-10	C-14	4JT-25874-01	D- 8	5F6-82911-00	D-13	90179-16226	C- 4	90401-10159	D- 7	91317-06020	B- 9
3YF-24724-01	D-12	3XV-25876-00	D- 8	4V4-82913-00	D-13	90179-25615	C-10		D- 8		B-14
1RK-24763-00	C-14	3LC-25885-00	D- 7	4A0-83522-00	D-12	90185-08097	B-13	90430-06166	B- 2	91317-06025	C-10
4JT-25117-00	C-15		D- 8	3YL-83540-00	D-12		D- 3		B- 2	91317-06030	B-14
4JT-25168-00-UA	C-15	3FV-2589A-00	D- 7	4A0-83541-00	C-14	90185-16127	C- 8		B- 6		D- 6
4JT-25181-00	C-15	3FV-2589F-00	D- 7		D-12	90185-18104	D- 3		B-14	91317-06035	B- 6
4JT-25183-00	C-15	2VN-2589A-00	D- 8	4JT-83590-01	D-12	90201-06571	B- 7		C- 7	91317-06045	B-14
5Y9-25316-00	C-15	3FV-2589A-00	D- 7	3LC-83611-00	D-12	90201-070J2	B- 8	90430-12202	B-14	91317-06060	B-14
	D- 3	4JT-25895-00	D- 9	21A-83912-00	D-13	90201-08085	B- 2	90445-09078	B- 7	91317-08030	D- 6
4JT-25317-00	D- 3	3LC-25919-50	D- 5	3TJ-83922-01	D- 7	90201-08455	C-10	90445-092J9	B-14	91317-10020	C- 9
4JT-25338-00-UA	D- 3	4FL-25919-00	D- 2	3LC-83976-00	D-13	90201-10118	D- 7	90450-28073	B- 7	91401-25030	D-10
4JT-25360-10	D- 3	3MA-25924-00	D- 2	4JT-85501-10	D-11		D- 8	90450-551070	B- 9	91490-16020	D- 5
4JT-25364-00	D- 3	4DP-25924-00	D- 5	4JT-85820-00	D-14	90201-10144	B- 4	90460-20190	B- 7	91701-08038	C-10
4JT-25376-00	D- 3	3MA-25925-00	D- 2	90101-10709	C- 8	90201-114P2	B- 6	90464-12089	C- 7	91814-16009	B-14
4DP-25379-00	D- 3	4JT-26112-00	D- 6		C- 9	90201-114P4	B- 6		C- 8		B-14
4JT-25381-00	D- 3	4JT-26223-00	D- 6	90105-06535	B- 2	90201-126A7	B- 8	90464-13080	C-13	92017-06020	D- 8
4DP-25388-00	D- 3	4JT-26224-00	D- 6	90105-08729	B-14	90201-127E1	D-11		D- 7	92017-08020	D- 5
4DP-25389-00	D- 3	47X-26241-00	D- 6	90105-10183	C- 7	90201-14212	D- 8	90464-14117	C- 7		D- 8
29L-25398-00	C-15	47X-26242-00	D- 6	90105-10445	B- 4	90201-174E1	B-15		C-13	92017-08025	C- 7
	D- 3	3YL-26243-00	D- 6	90105-10725	D- 2	90201-177G4	C- 4		C-13		C-10
29L-25398-10	C-15	3YL-26246-00	D- 6	90105-10726	C- 7	90201-18262	D- 3		D- 6		D- 8
	D- 3	3Y1-26249-00	D- 6	90109-063F7	C- 5	90201-537R1	D- 3	90464-25160	D- 7	92901-04600	D- 8
29L-25398-20	C-15	3YL-26281-00	D- 6	90109-065F8	B-14	90202-05187	C-13		D-14	92907-04100	B-10
	D- 3	3YL-26282-00	D- 6	90109-067E6	B-14	90209-18208	C- 3		C- 7		B-10
4JT-25411-00	D- 3	3YL-26311-01	D- 6		C- 7		C- 4		D-10	92907-04200	D-10
4JT-25435-00	D- 3	4JT-26335-00	D- 6	90109-06799	D-13	90209-23241	C- 4	90464-26114	D- 6	92907-05100	D-13
4JT-25436-00	D- 3	5F6-26368-00	D-13	90109-08718	D- 2	90209-24327	B- 4	90467-09006	C-13		D-13
4JT-25437-00	D- 3	4JT-27211-00	D- 8	90110-05227	C- 5	90215-14204	B- 5	90467-10008	C-13	92907-06100	B-13
4JT-25438-00	D- 3	3YL-27222-00	D- 8	90113-08056	B-14		B-15	90467-11044	D- 9		D-11
4JT-25439-00	D- 3	4JT-27411-00	D- 8	90116-08409	B- 3	90215-20261	C- 4	90467-14057	D- 9	92907-06200	B-15
4FL-2580U-00	D- 2	4JT-27412-00	D- 8	90119-05001	B-15	90249-04189	B- 2	90468-16099	C-10		D- 6
4JT-2580W-00	D- 5	1RK-27434-00	D- 8	90119-05071	C- 7	90267-48147	B-13	90480-13018	C-14	92907-06600	D-11
3XV-2581T-10	D- 2	4JT-27445-00	D- 9	90123-06007	D- 6	90269-05049	C- 7	90480-14023	D-14	92907-16200	C- 8
4JT-25819-00	D- 5	4JT-28321-00	D-10	90149-05149	B- 2		C- 7	90480-14153	C- 9	92990-03100	B- 9
2VN-2582A-50	D- 7	4DP-28334-00	D-10	90149-06008	C-13	90280-04001	B- 4	90480-15363	B- 7		B-10
36Y-2582A-50	D- 8	4JT-28350-10	D-10	90149-06286	B-14	90338-06041	B-14	90480-18495	C-13	92990-04100	D- 8
3YL-2582F-00	D- 7	4JT-28356-00	D-10	90149-08152	D- 5		C- 7	90501-20361	B-15	92990-14600	C-15
4DP-2582W-00	D- 5	3YL-28358-00	D-10	90150-06021	D-10	90338-16148	D- 6	90507-20061	B-13	93101-45091	B-15
3YL-2583V-00	D- 8	4JT-2836A-00	D-10	90151-06056	B- 5	90340-12144	B-14	90508-145A5	C- 2	93102-12224	C- 2
3GM-25852-50	D- 7	4DP-28362-01	D-10		C- 3	90380-08192	B- 2	90508-235A8	C- 5	93102-25142	B- 4
3XP-25852-50	D- 8	4A0-28364-00	D-10		C- 4	90387-06068	B- 7	90508-290A8	C- 5	93102-26042	B-15
2VN-25854-00	D- 8	4JT-28381-10	D-10	90154-05064	D- 9	90387-062L2	C-14	90560-12280	C- 5		C- 4

PART NO.	GRID NO.	PART NO.	GRID NO.	PART NO.	GRID NO.	PART NO.	GRID NO.	PART NO.	GRID NO.
93103-12119	B- 6	93603-07073	B- 8	97707-50012	C- 8				
93103-32177	B- 4	93604-08071	B- 2	97780-40110	D-12				
93104-08040	B- 2	93604-10011	B- 6	98503-03008	C-13				
93109-12012	C- 5	93605-20204	C- 9	98507-03006	B- 9				
93210-06632	B- 8	938AA-16198	C- 4	98507-03010	B-10				
93210-10118	D-12	938AA-17196	C- 4	98507-05008	D-13				
93210-14515	B-14	938AA-18199	C- 4	98517-04012	B-10				
93210-15620	D- 7	93900-00003	C-15		D- 8				
	D- 8		D- 3	98517-06020	D-11				
93210-16314	B-15	94111-1702N	D- 3		D-14				
93210-21190	B-14	94126-1702P	C-15	98907-04010	D-10				
93210-34633	B-15	94561-45120	D- 4	98907-05010	B- 2				
93210-42728	B-13	94661-45031	D- 4	98907-05020	B- 2				
93210-48364	B-15	94702-00373	B- 2	99009-11400	B- 6				
93210-63442	B- 2	94709-00373	B- 2	99009-12400	B- 8				
93210-88696	B- 2	95027-06014	C-15	99237-00080	C-14				
93306-00444	C-15		D- 7	99237-00100	D-10				
	D- 3		D-10	99237-00140	C-13				
93306-07202	D- 3	95027-06016	C- 7	99237-00280	D-10				
93306-20336	C- 3		D- 8	99510-10114	B- 3				
	C- 4	95027-06020	C-14	99530-10014	B-14				
	C- 3		D-11		B-14				
93306-20421	B- 5		D-11						
93306-30316	C- 4	95027-06025	D- 7						
93306-30427	B- 4		D-14						
93306-30566	B- 6	95027-06030	B- 7						
93306-90105	B-15		D-10						
93310-225N0	B- 4	95304-06700	C- 6						
93310-316D5	B- 4	95317-06600	B-15						
93310-524P1	B- 5		D- 8						
93311-62574	C- 2	95607-04100	D-10						
93315-11206	C- 8	95607-06100	C- 6						
93317-32231	C- 8		D- 8						
93320-21507	C- 8		D-13						
	C-10	95607-08200	D- 3						
93332-00001	C-10	95617-06100	D- 7						
93332-00079	C- 8		D-10						
93342-22215	C- 9	95617-10200	C- 7						
93399-99935	C- 4		C- 8						
93410-17037	C- 3		C- 9						
93410-22039	C- 4	95617-14100	C-15						
	C- 4	95707-08500	B- 3						
93410-26067	B- 5	95807-06016	D- 9						
93420-37074	B- 2	95817-06010	B- 2						
93440-08130	C- 9	95817-08040	B-13						
93440-30113	B- 4	97007-05020	D-13						
93450-17129	B-15	97017-06020	C- 6						
93505-16006	B- 8	97027-06020	B-13						
93602-12247									





# YAMAHA

ヤマハ発動機株式会社  
〒438 静岡県磐田市新貝2500  
サービス情報室

---

490566-1